

300mm

NL500mm

art. 560\_3050B

**1**

- Blum Tandembox®
- Grass DWD XP®
- Hettich ArciTech®

474mm

- Grass Nova Pro®

481mm

**2**

**3**

**4**

**5**

**6**

**300mm**

**NL450mm**

art. 560\_\_3045B

**1**

- Blum Tandembox®
- Grass DWD XP®
- Hettich ArciTech®

**424mm**

**431mm**

•Grass Nova Pro®

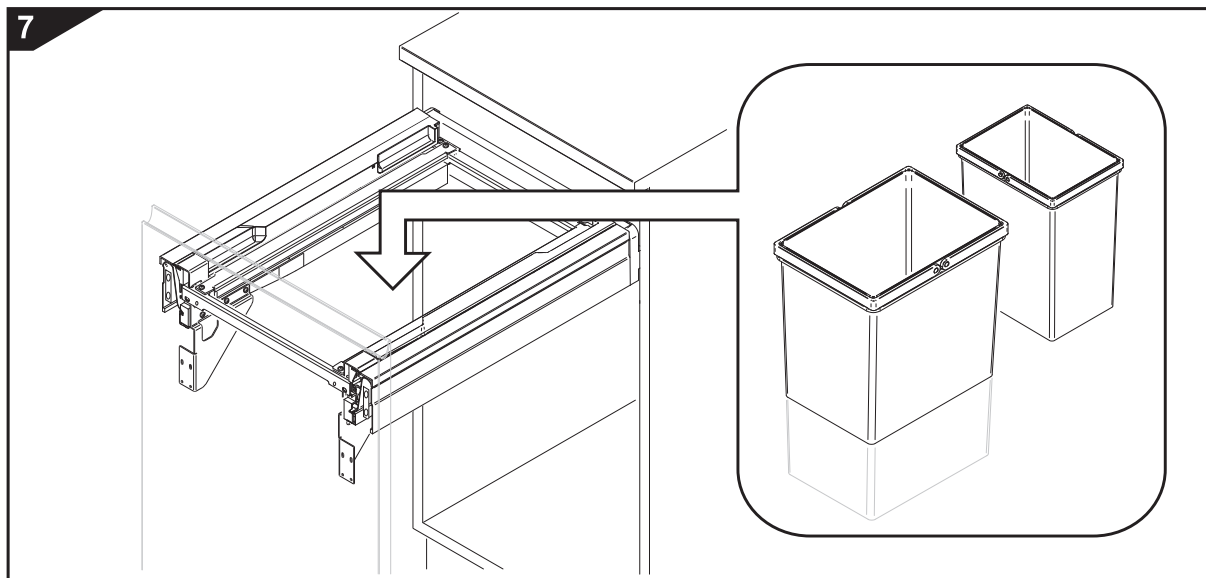
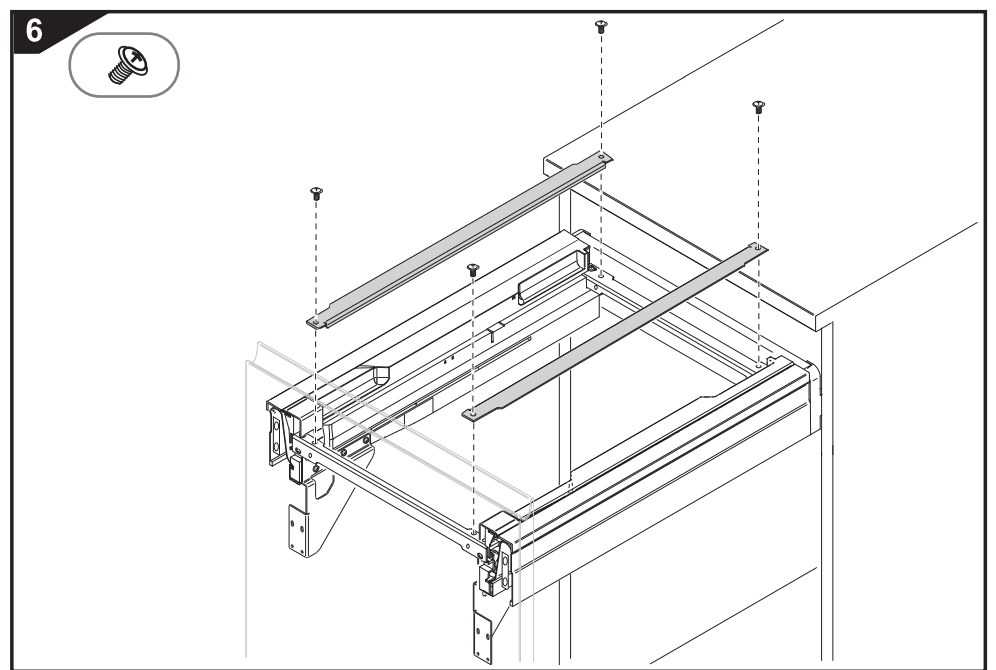
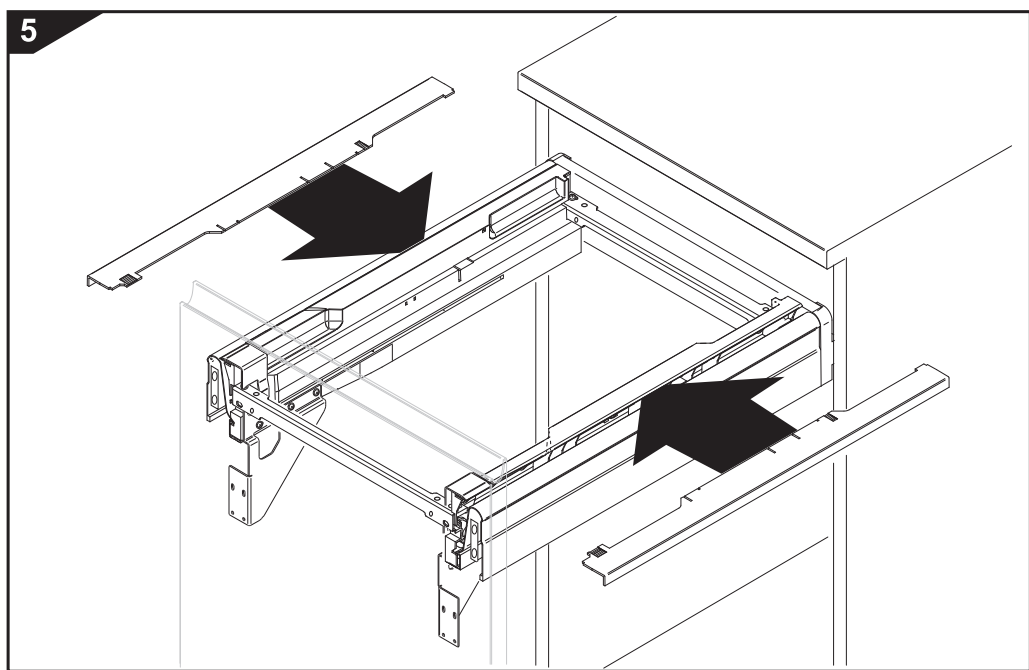
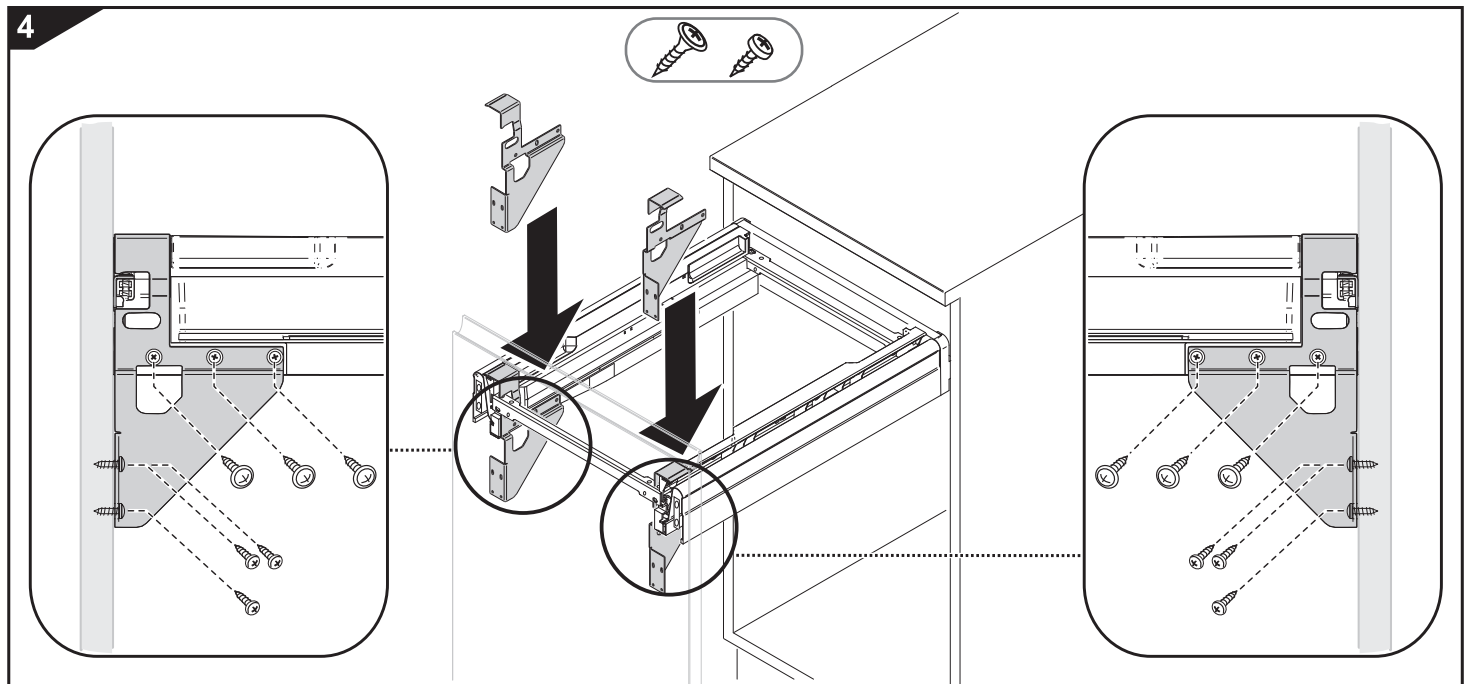
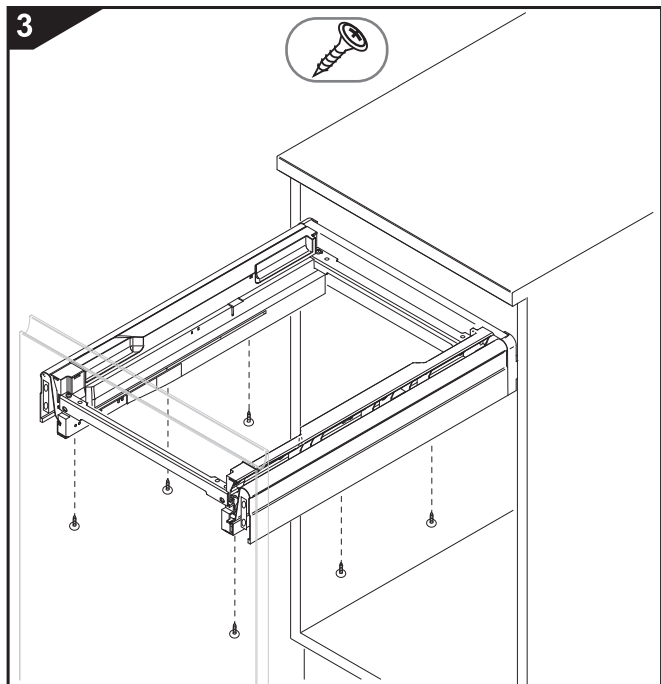
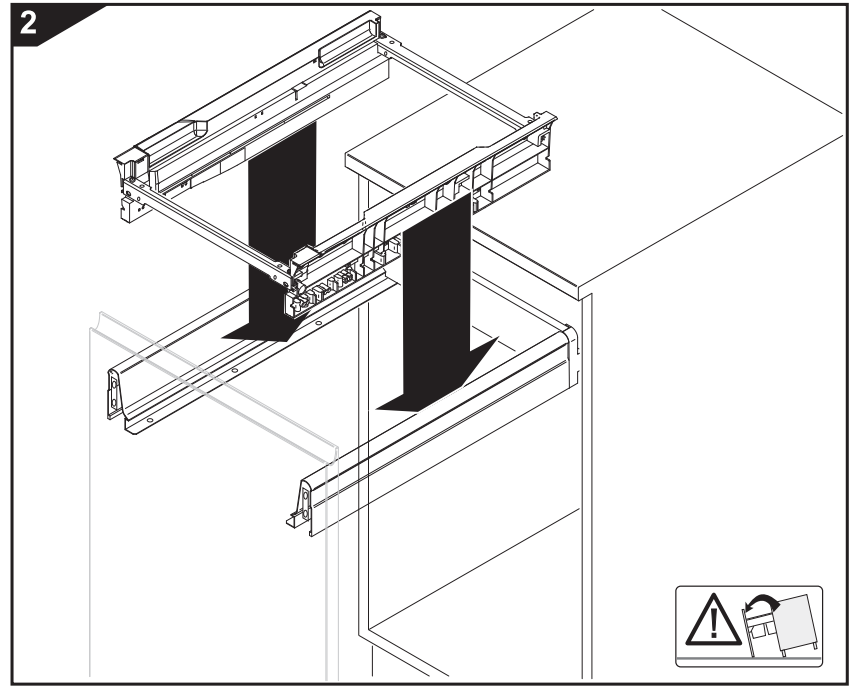
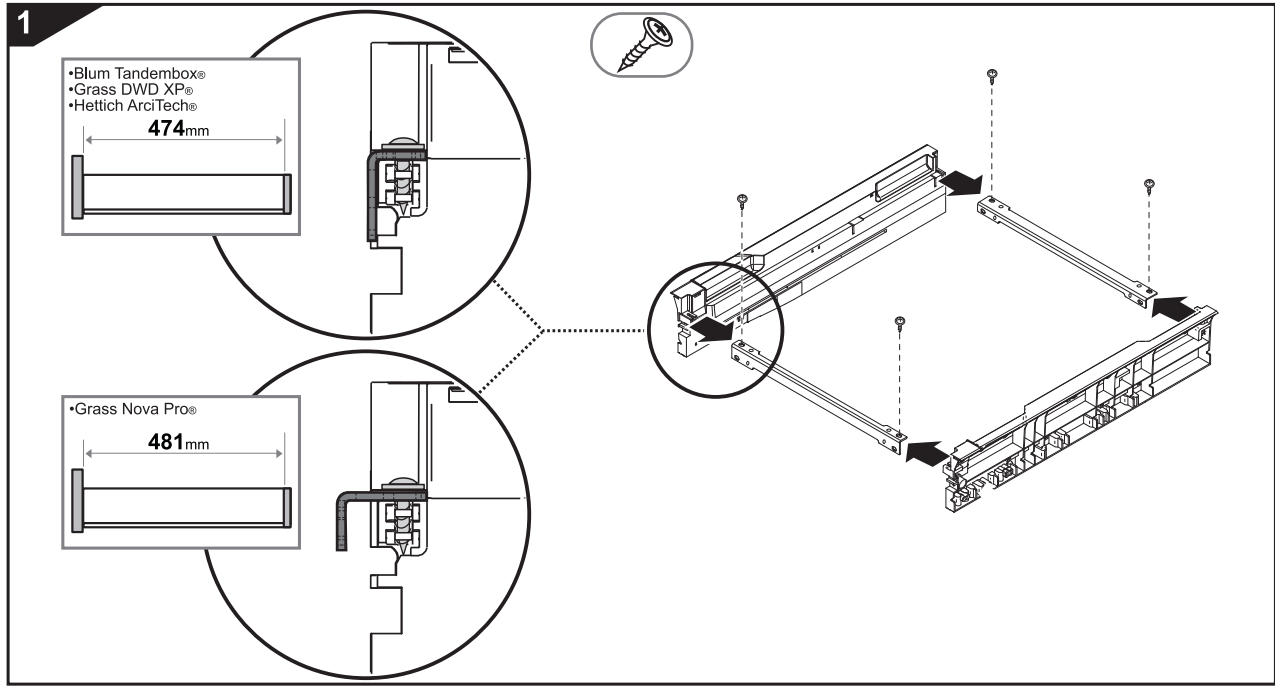
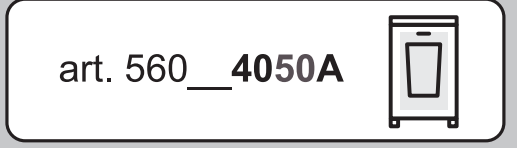
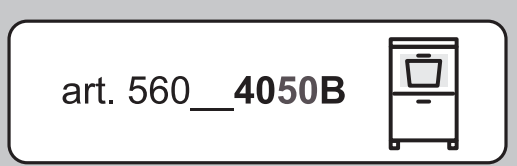
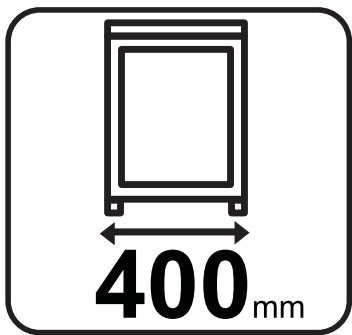
**2**

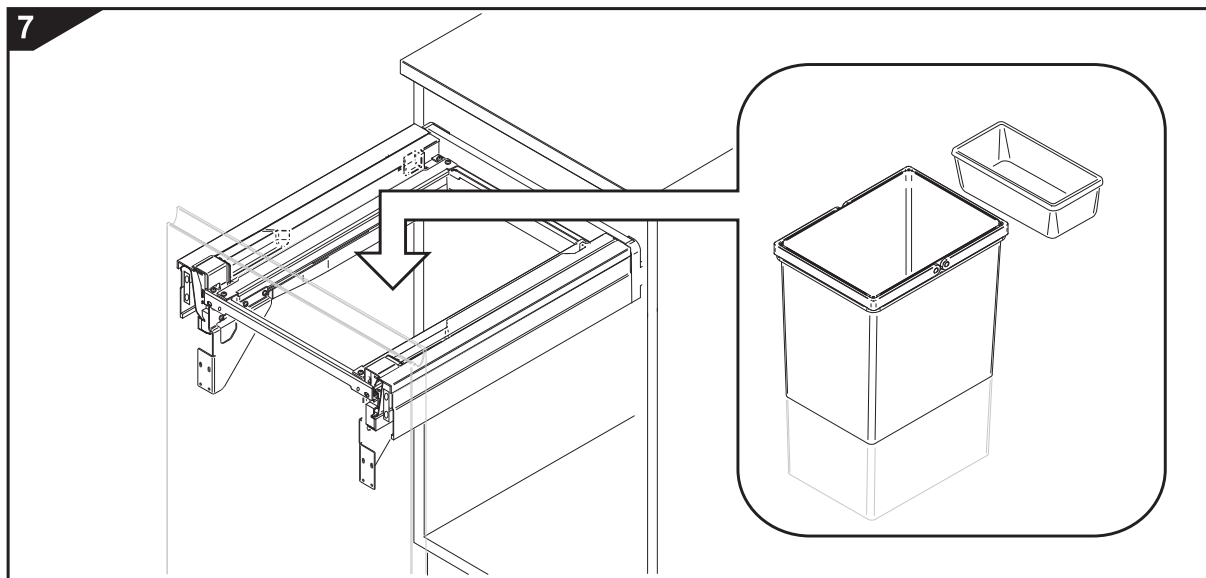
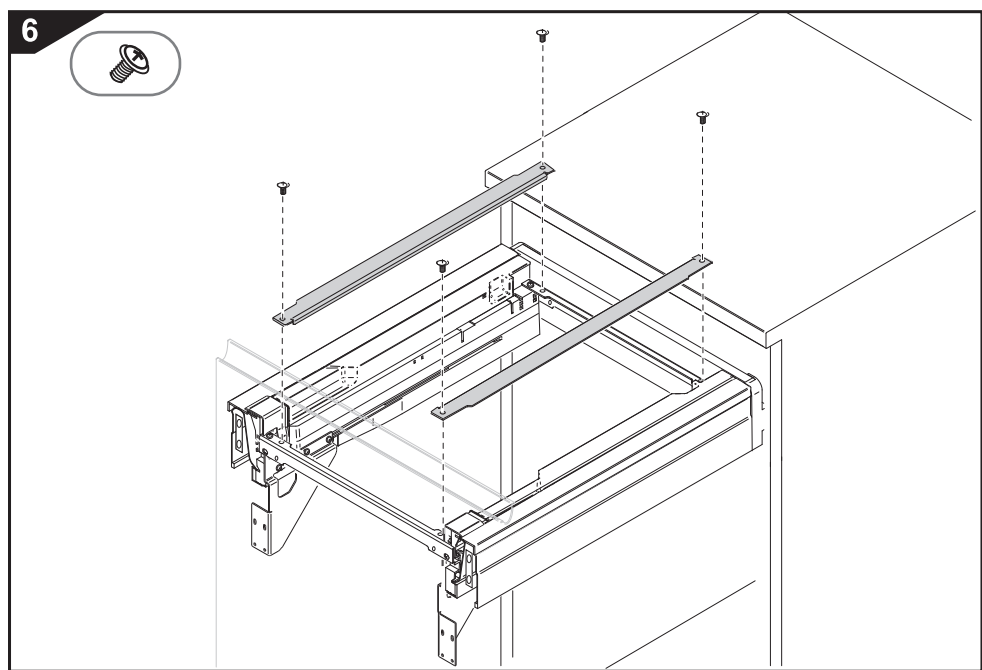
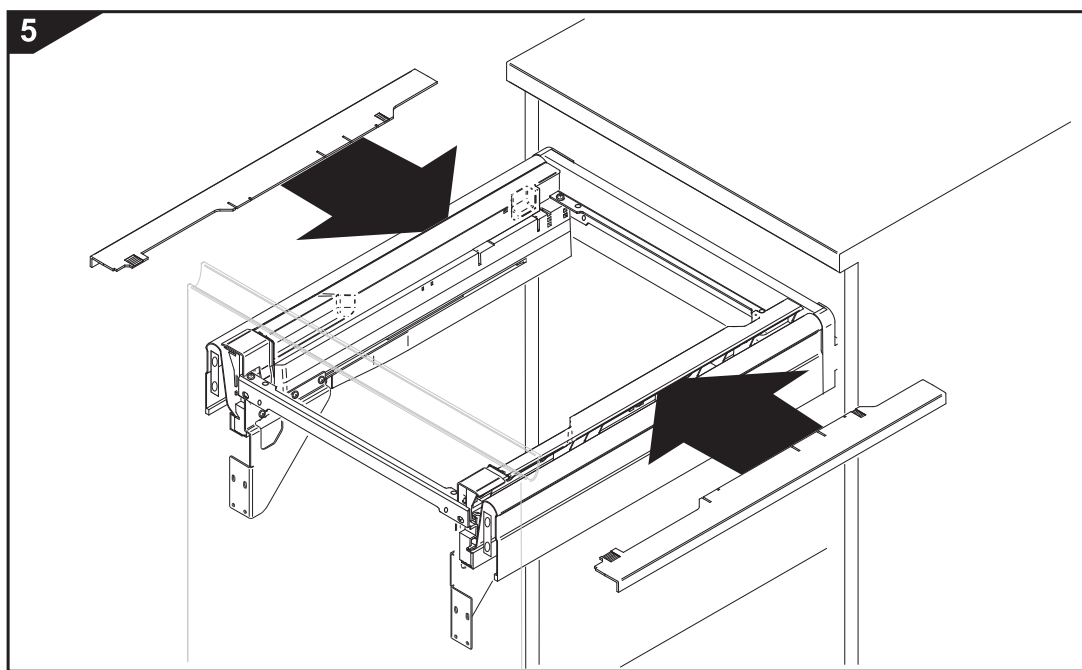
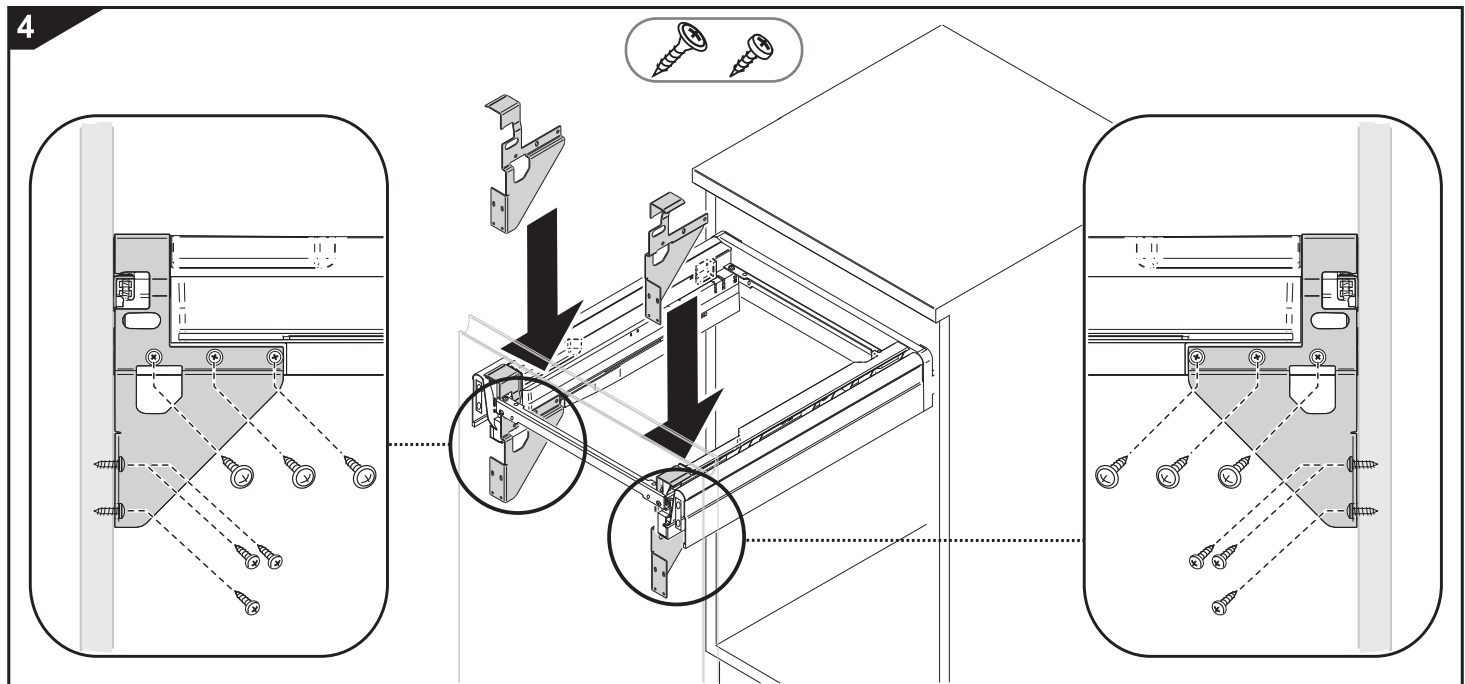
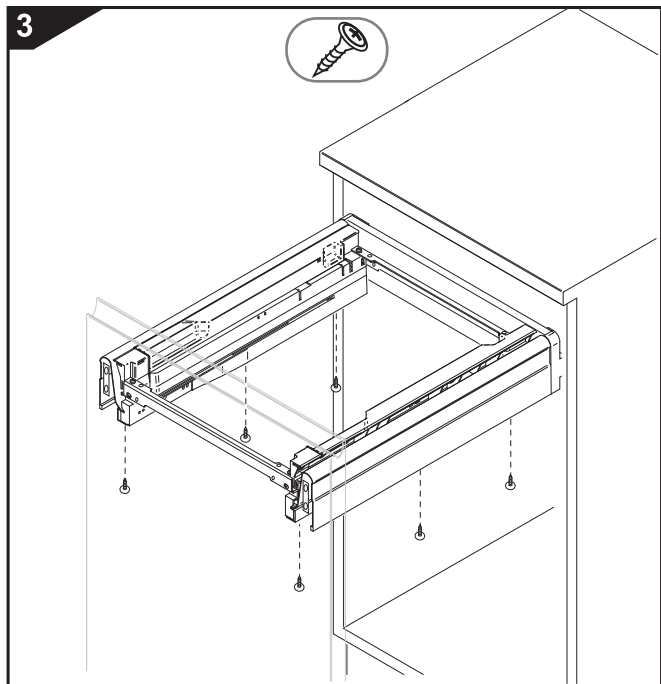
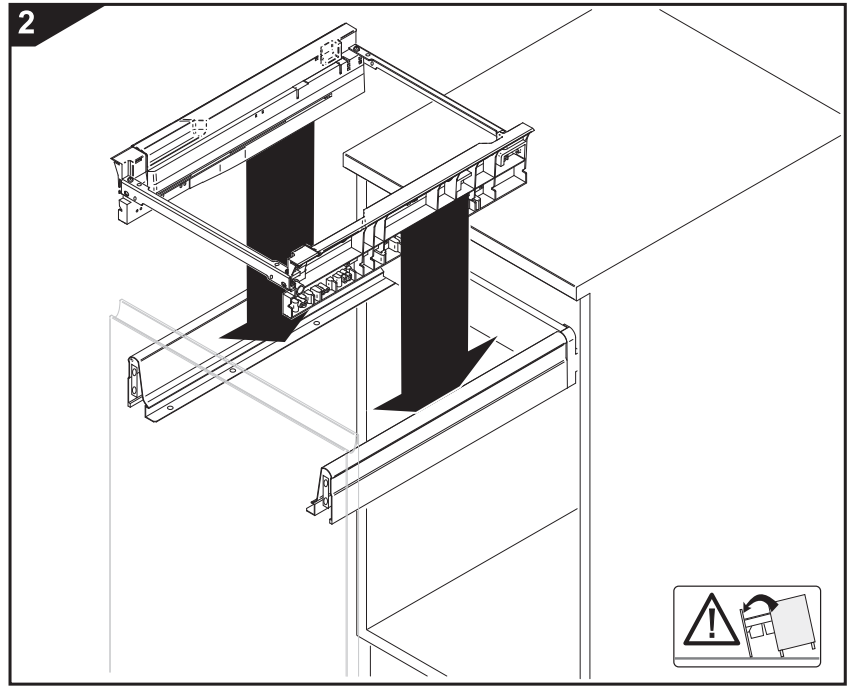
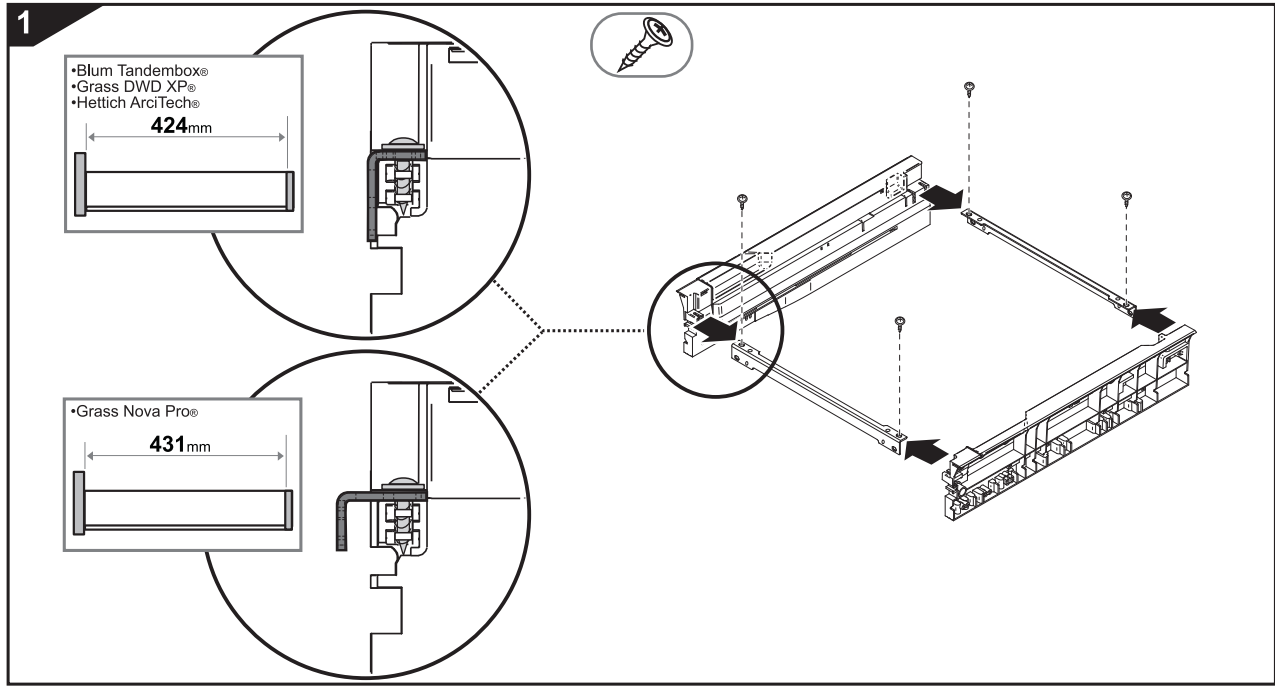
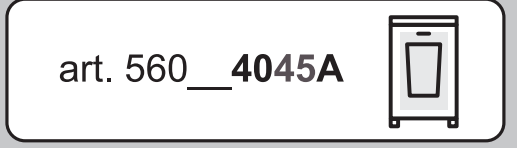
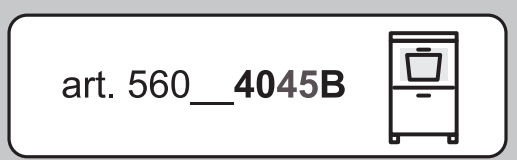
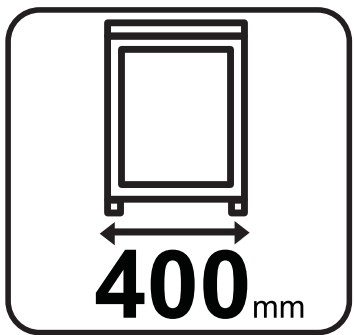
**3**

**4**

**5**

**6**









450mm



NL500mm

art. 560\_4550B



art. 560\_4550A



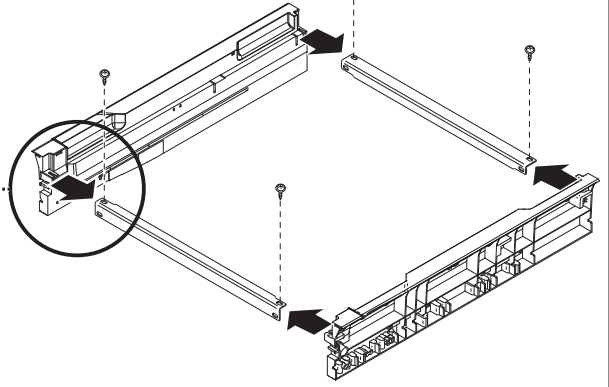
1

- Blum Tandembox®
- Grass DWD XP®
- Hettich ArciTech®

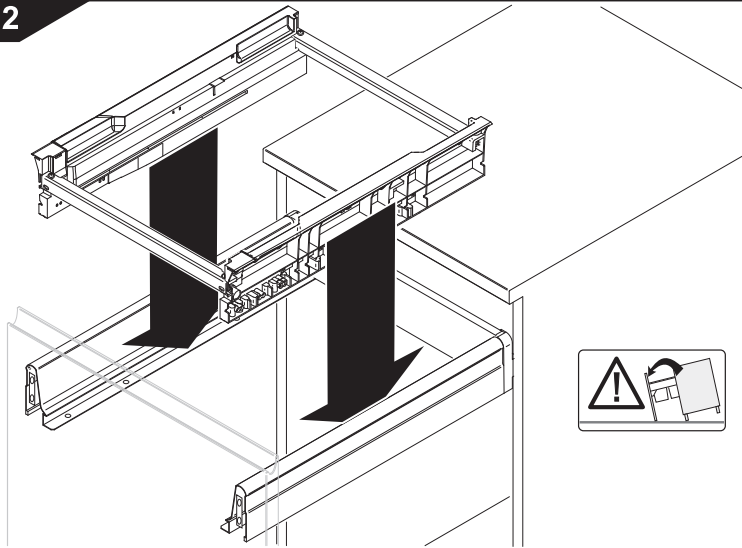
474mm

- Grass Nova Pro®

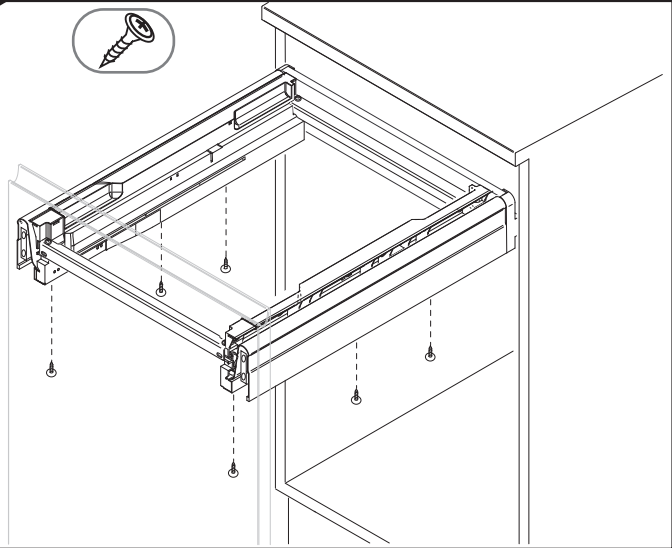
481mm



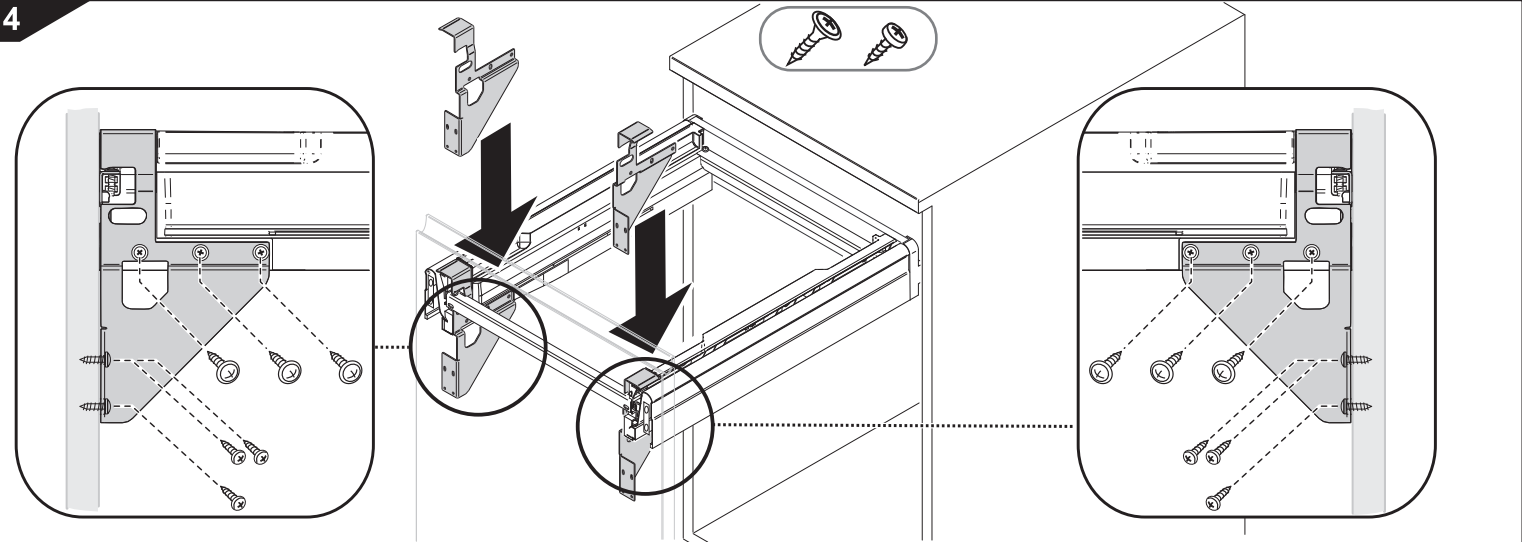
2



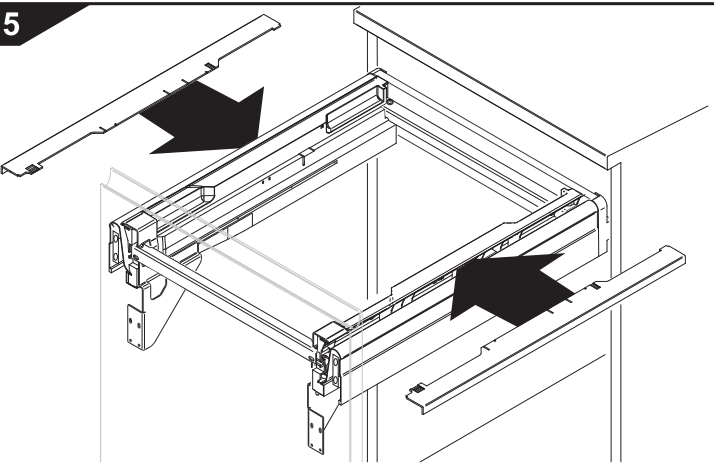
3



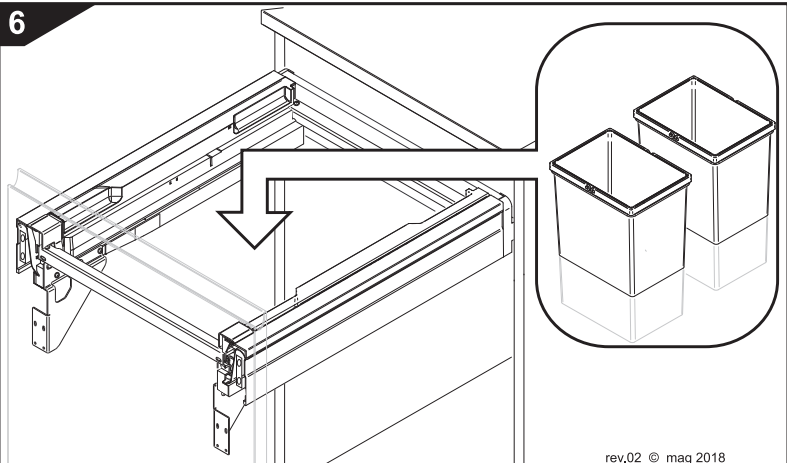
4

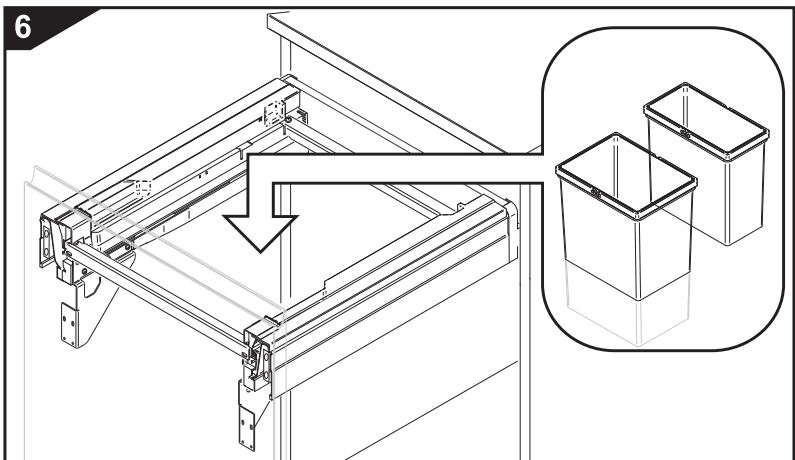
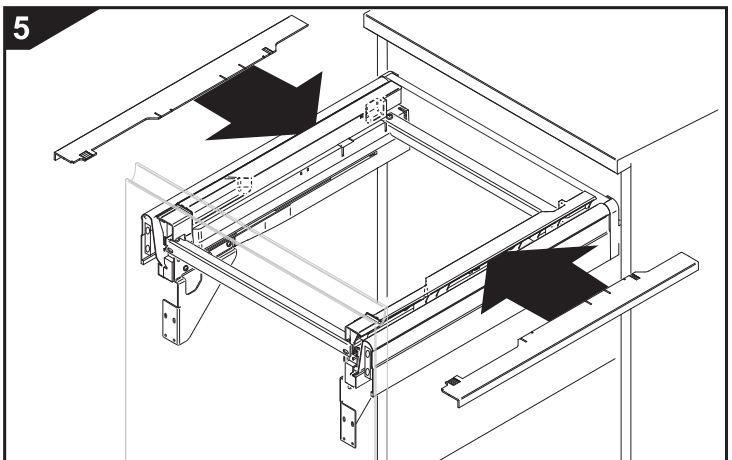
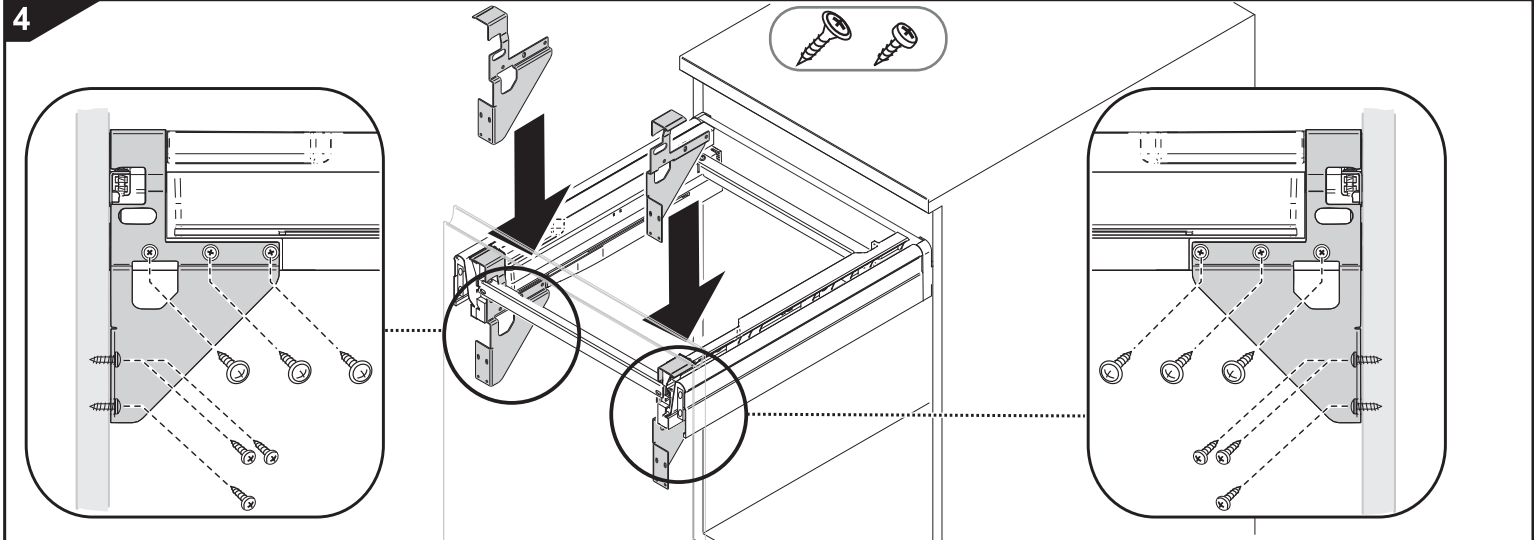
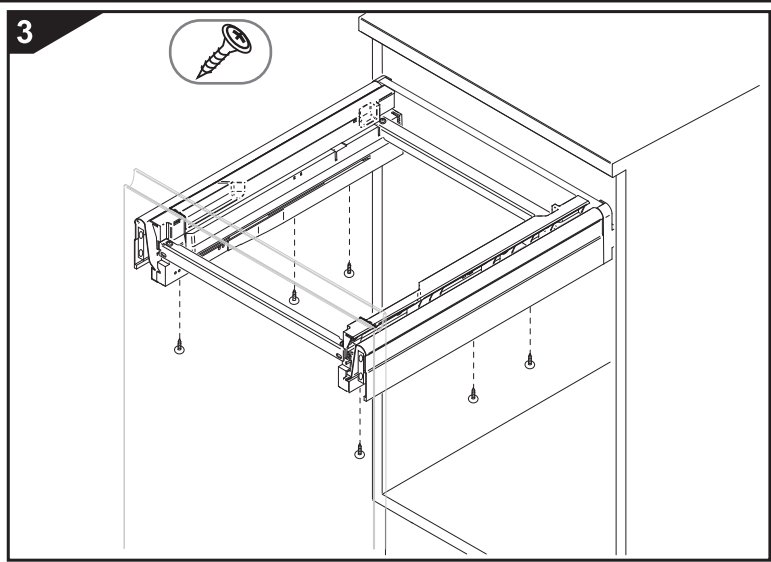
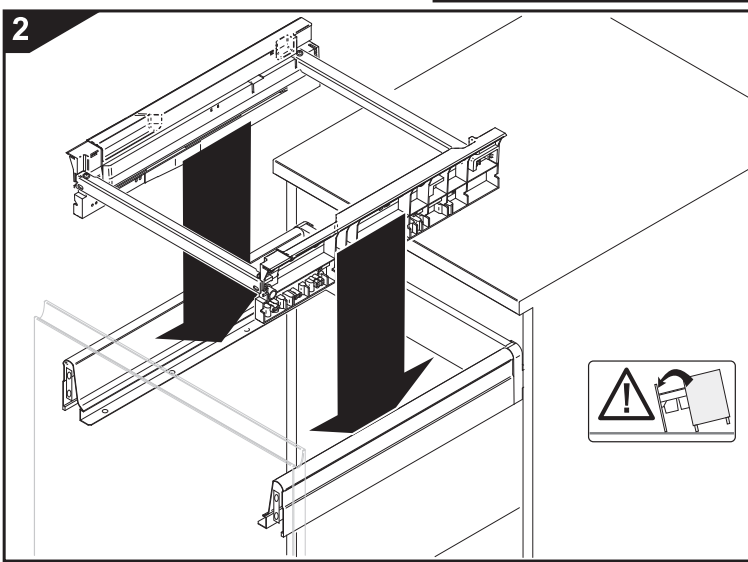
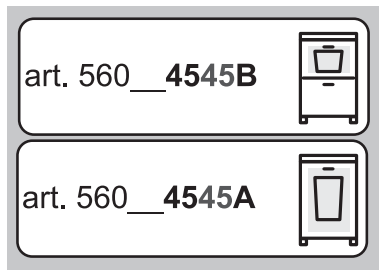
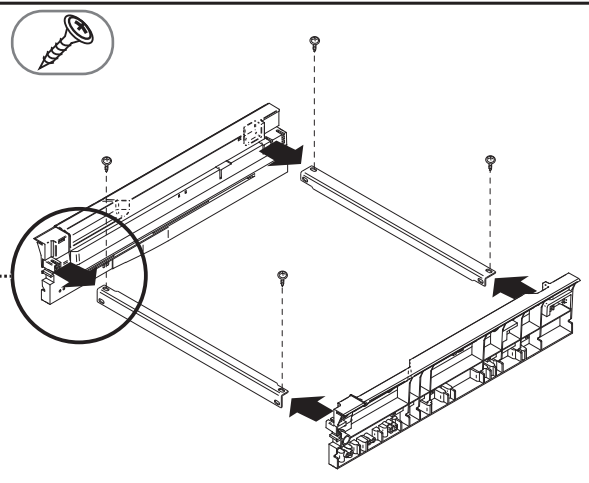
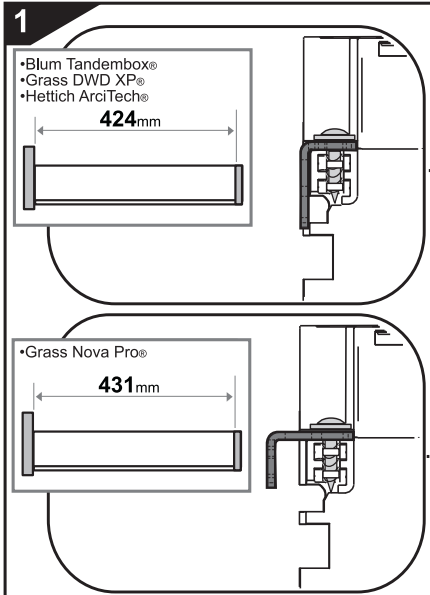
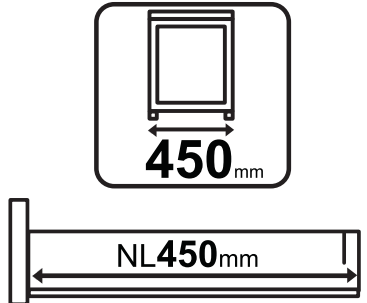


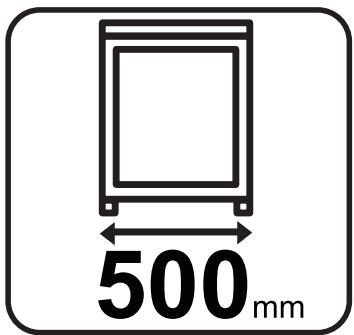
5



6



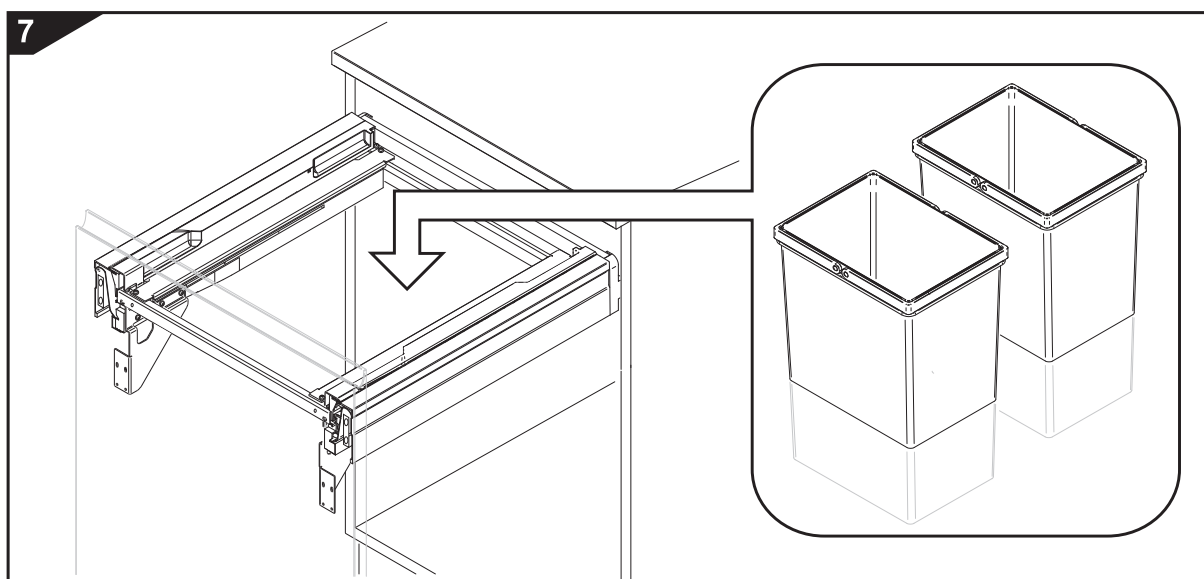
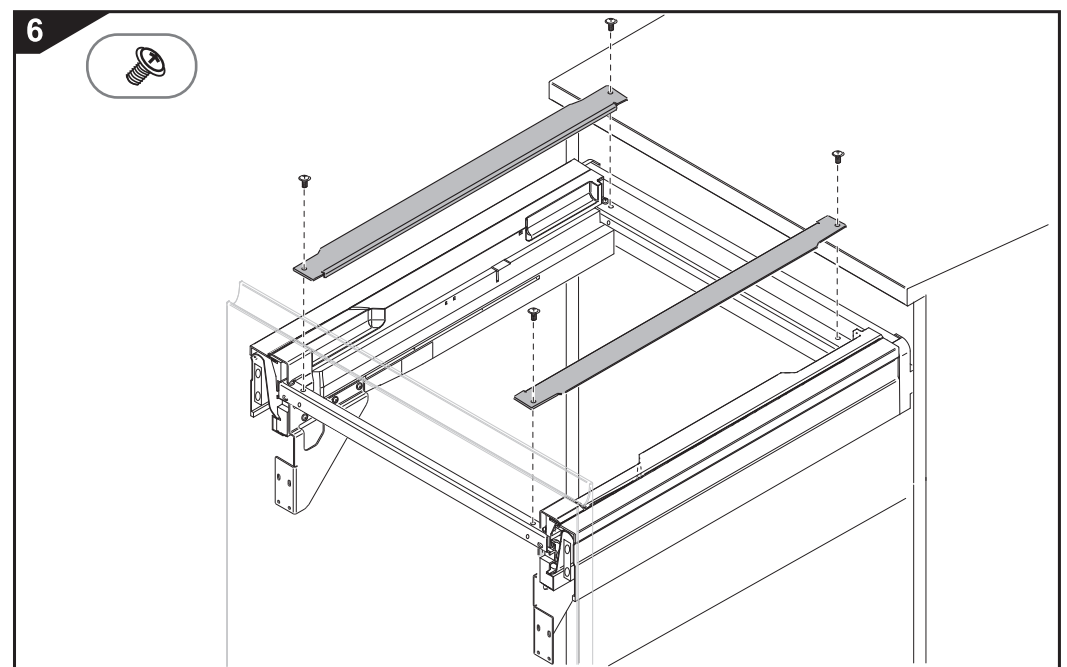
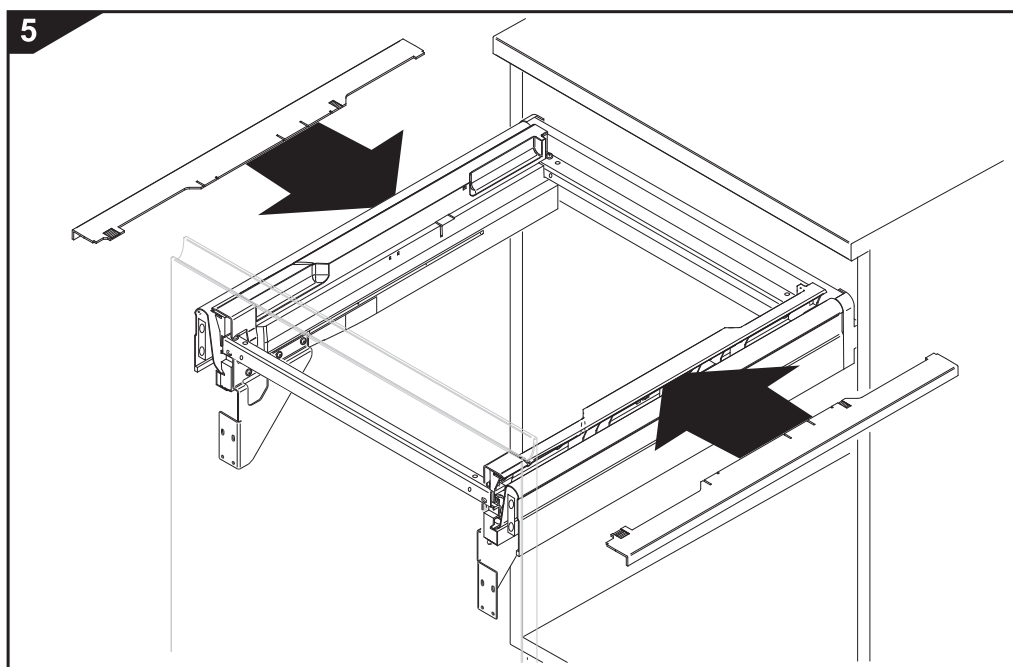
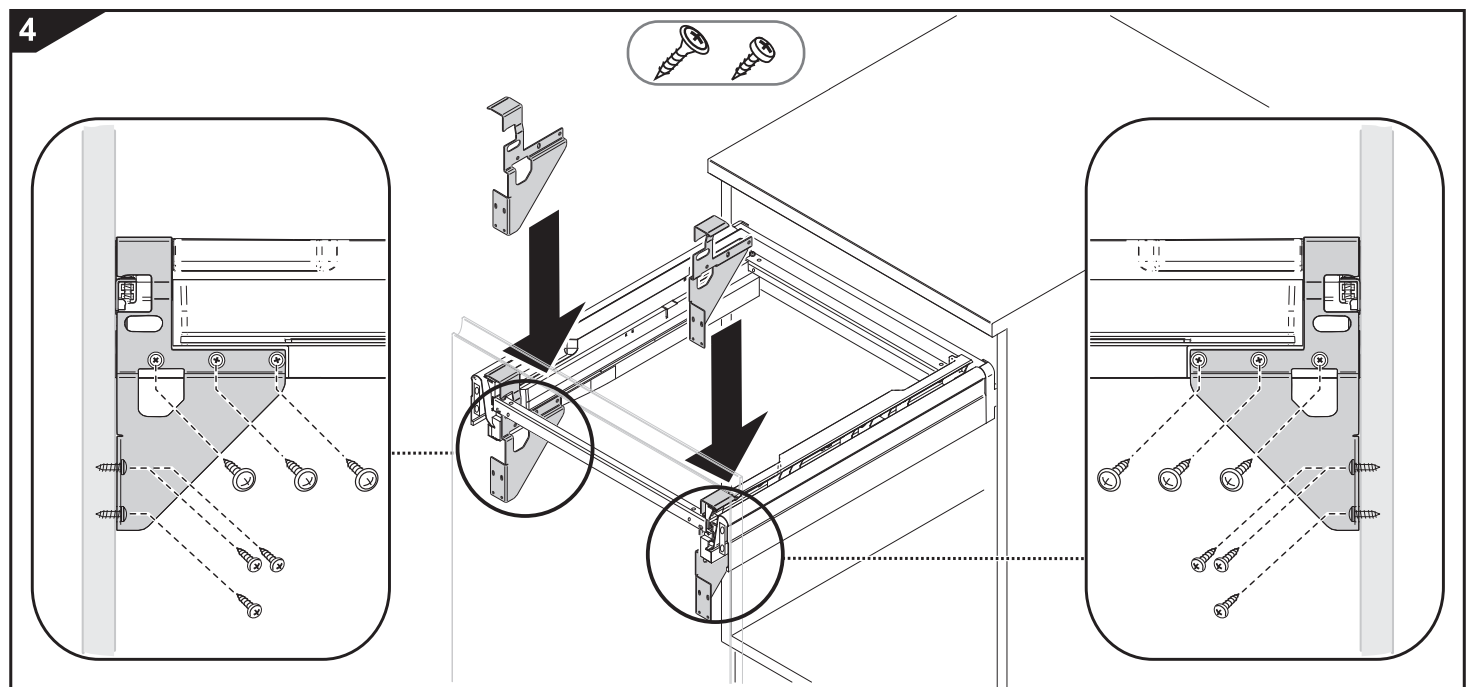
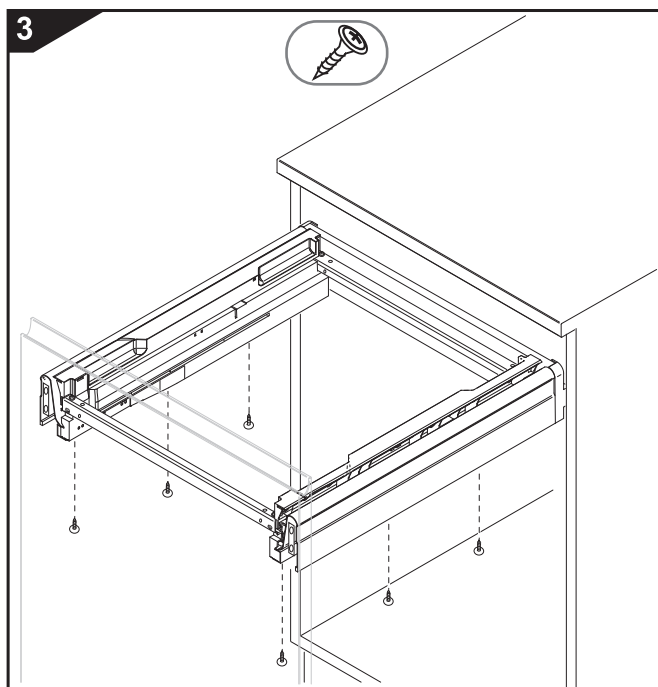
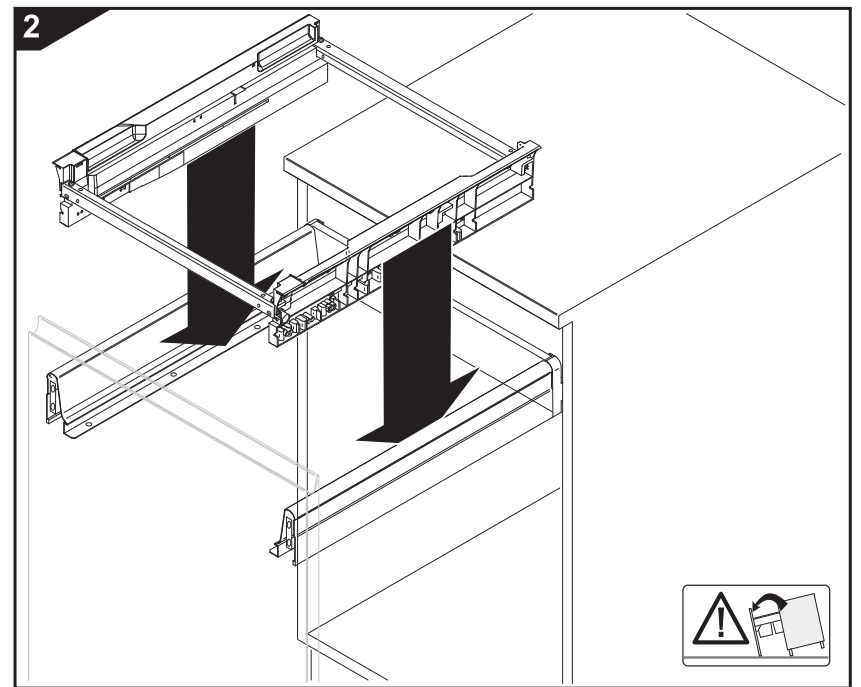
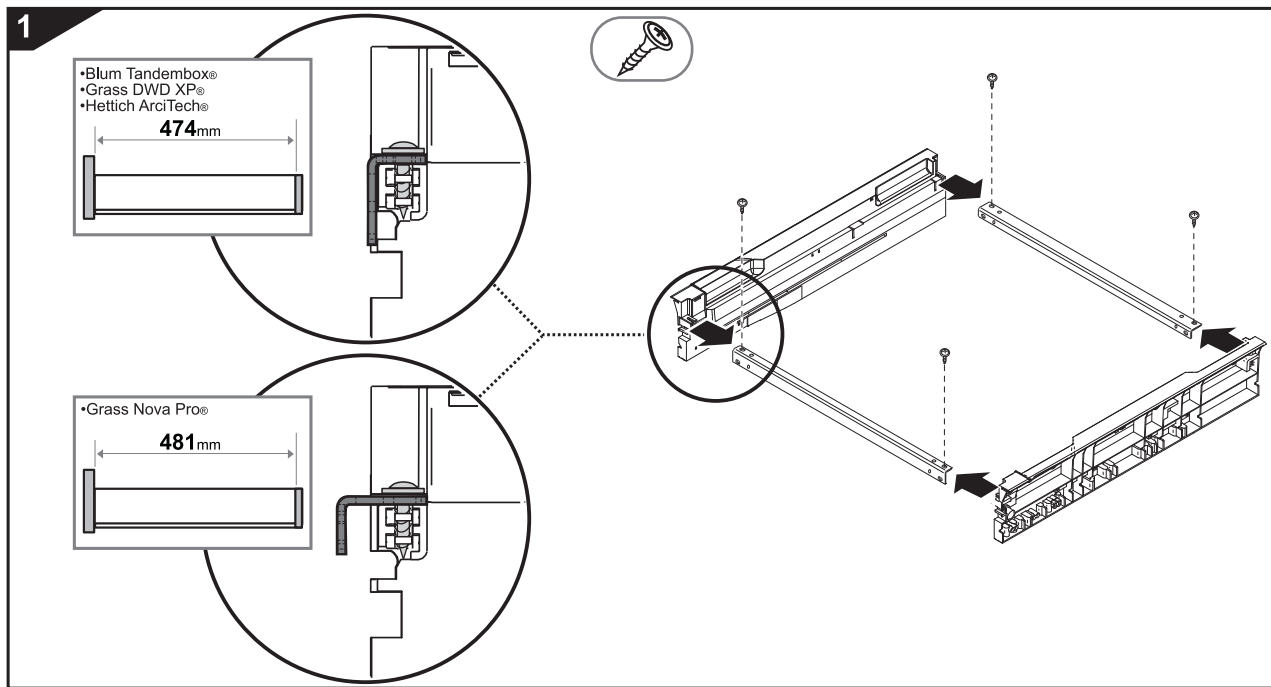
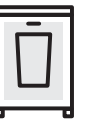




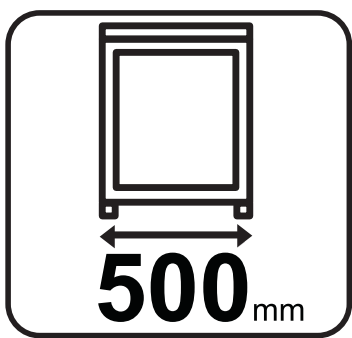
art. 560\_5050B



art. 560\_5050A



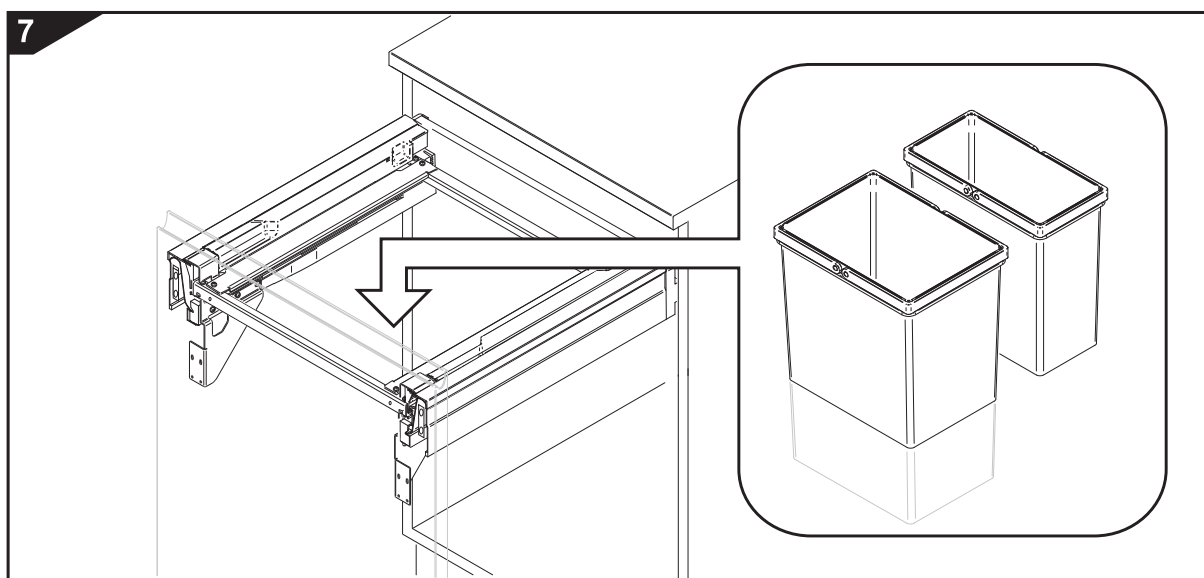
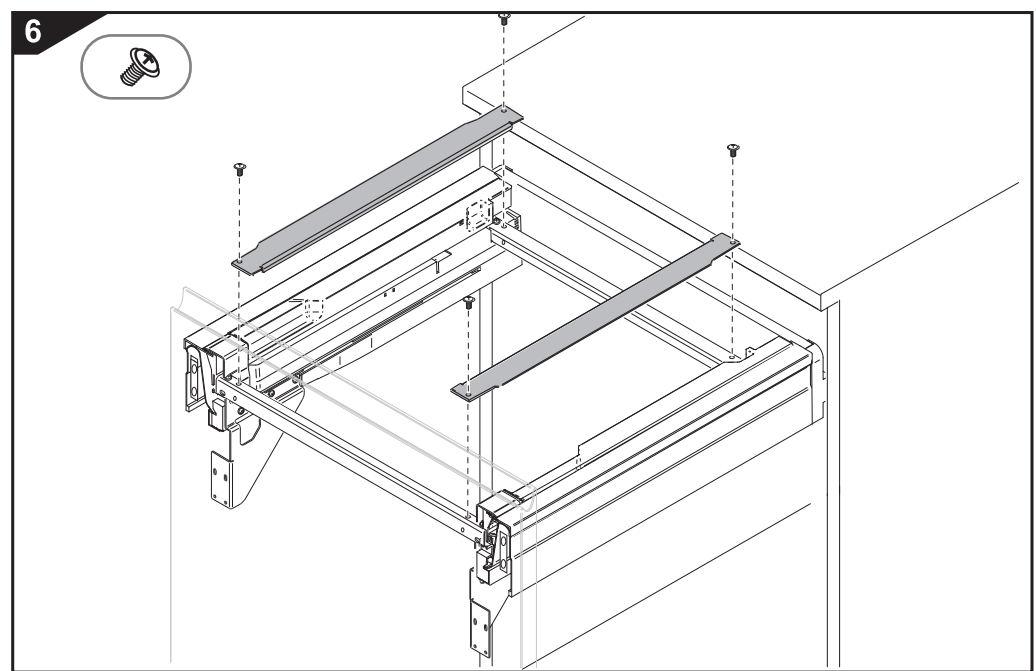
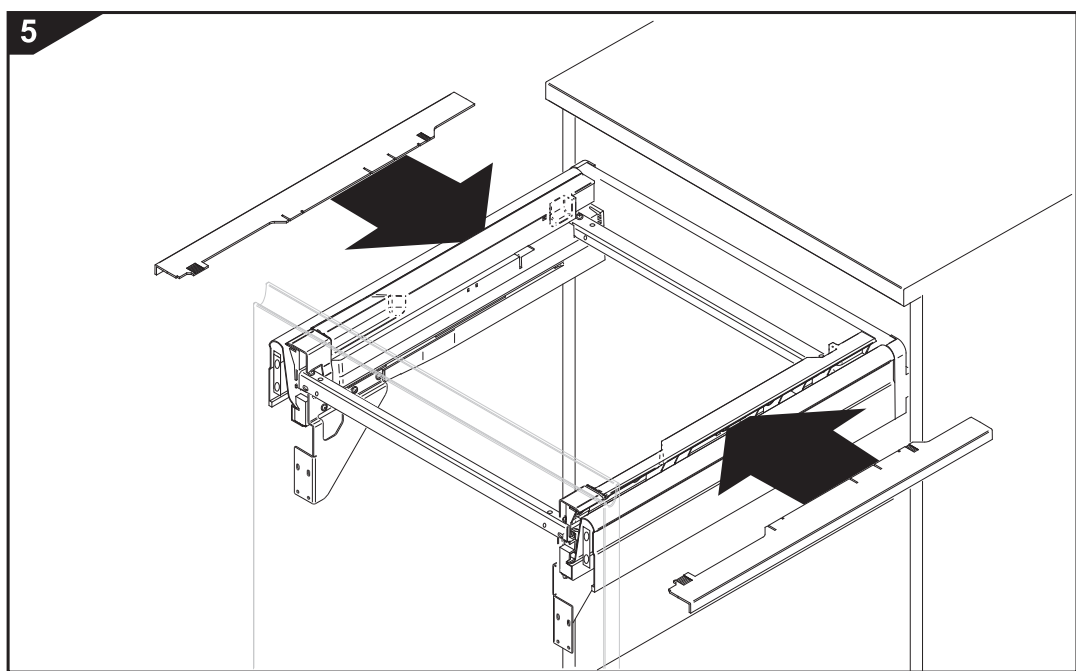
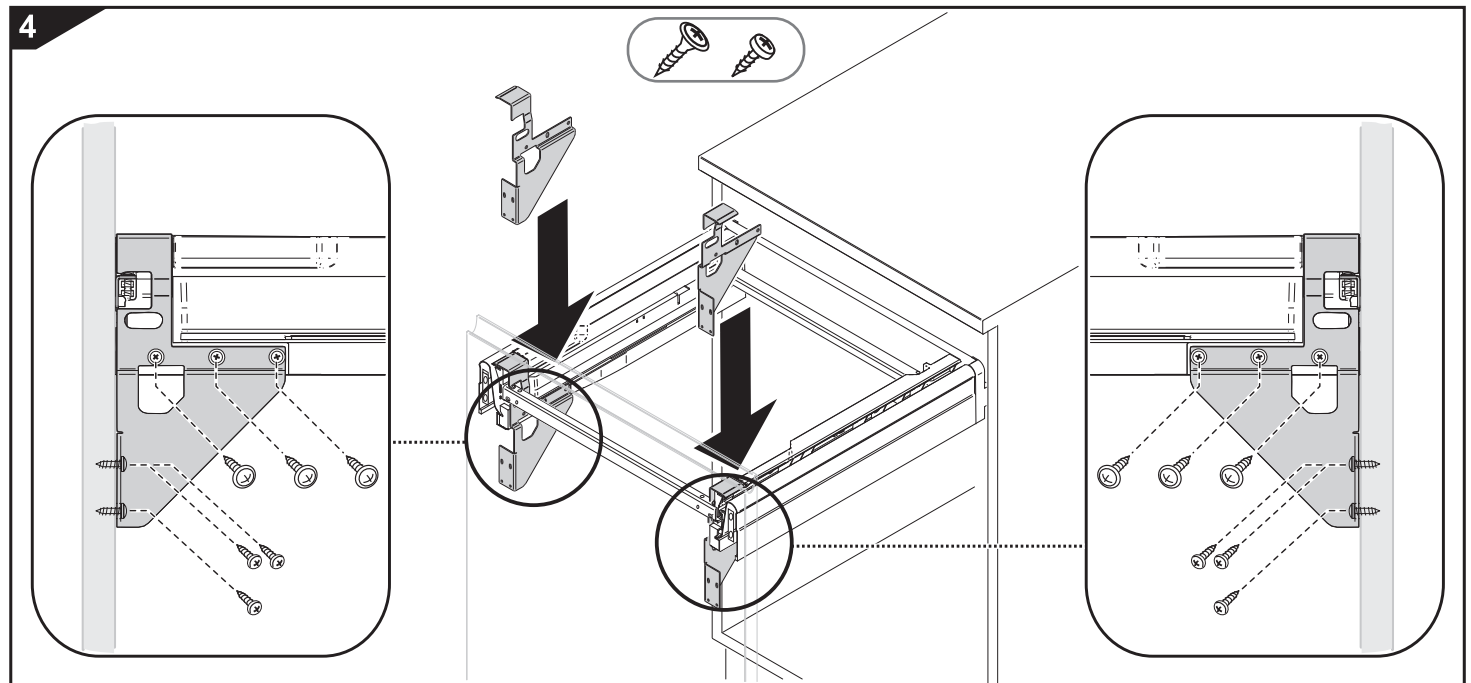
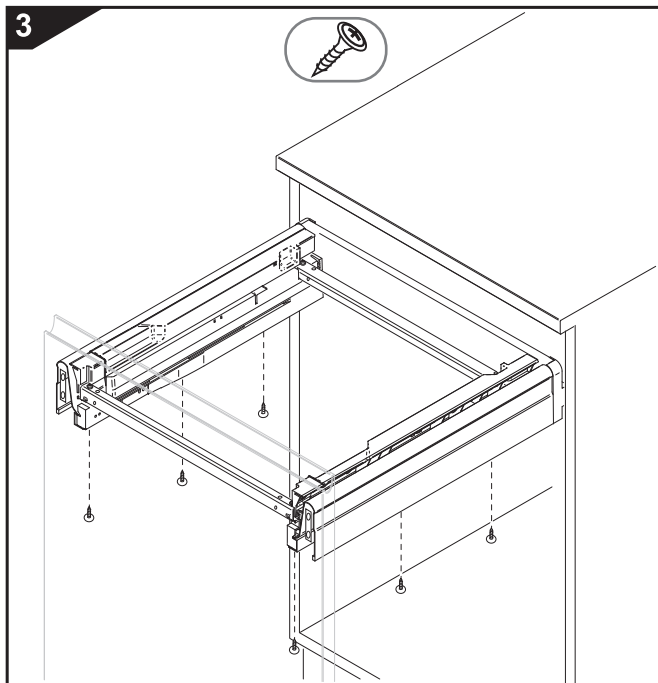
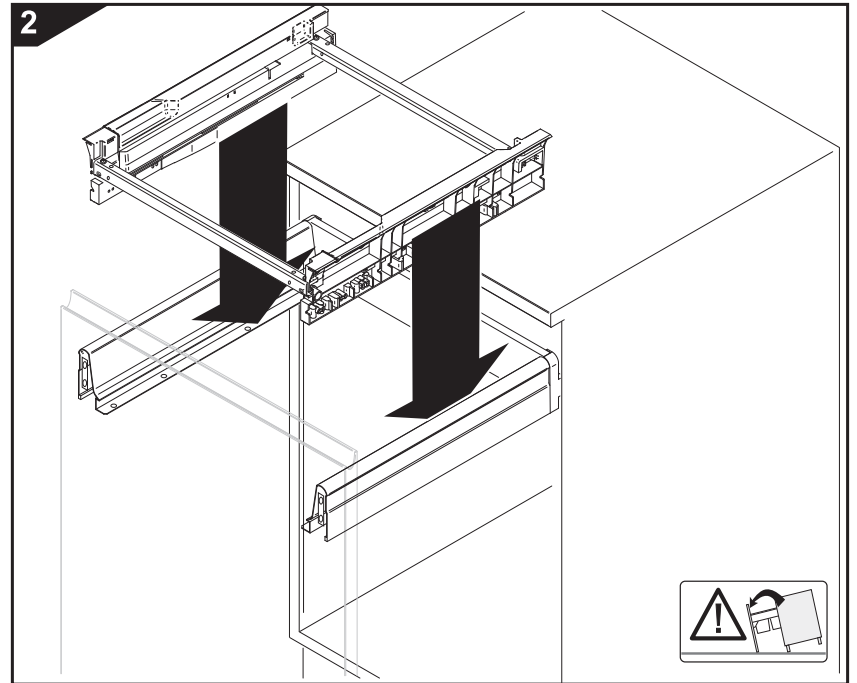
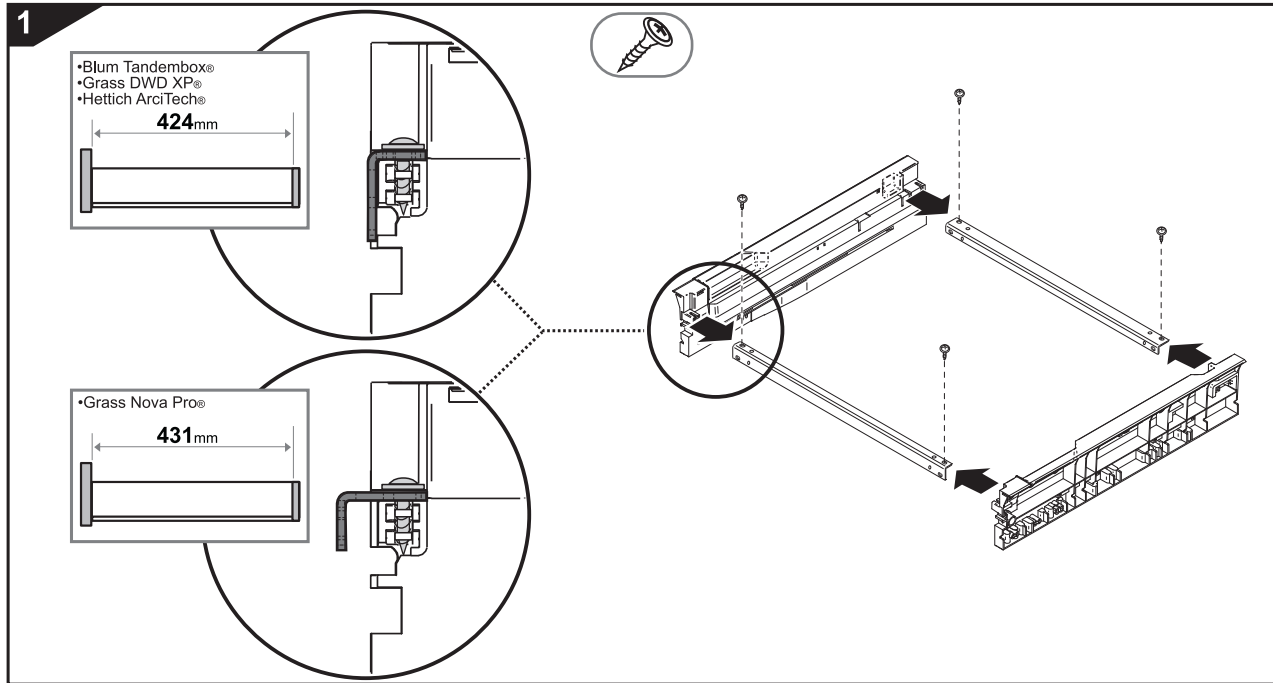




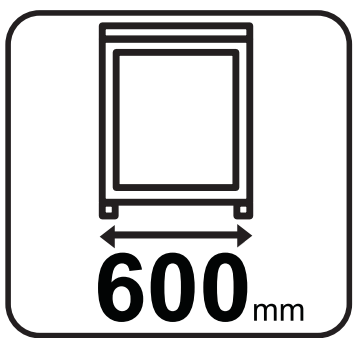
art. 560\_5045B



art. 560\_5045A



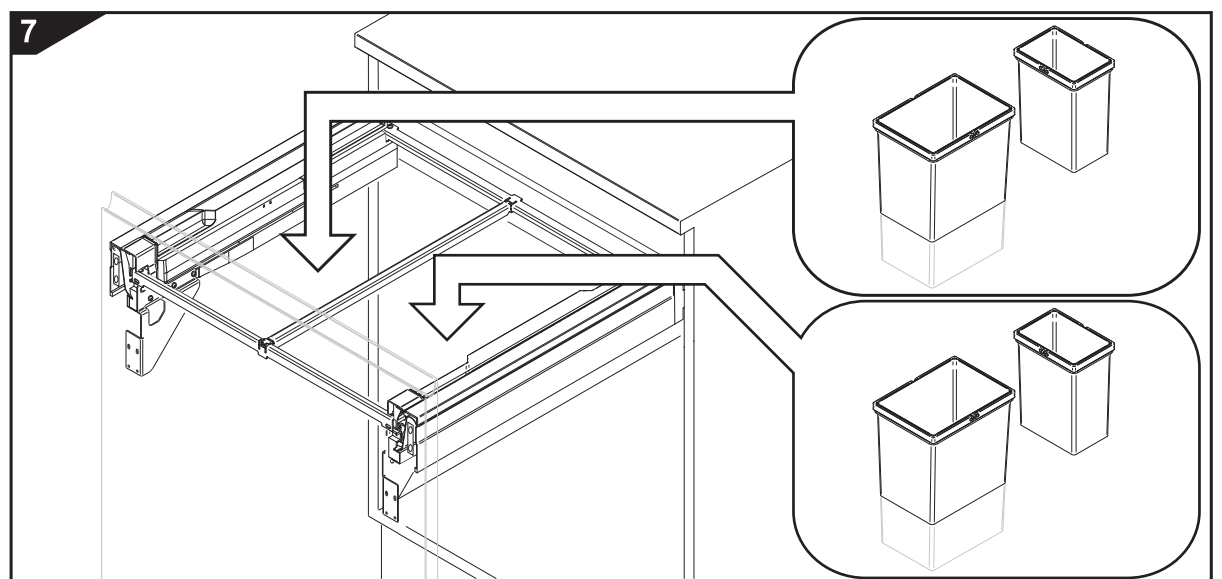
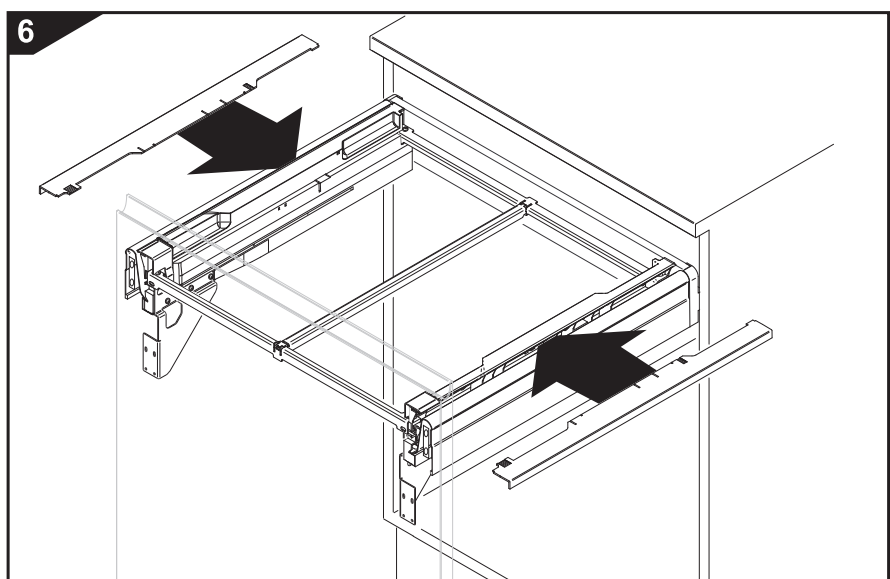
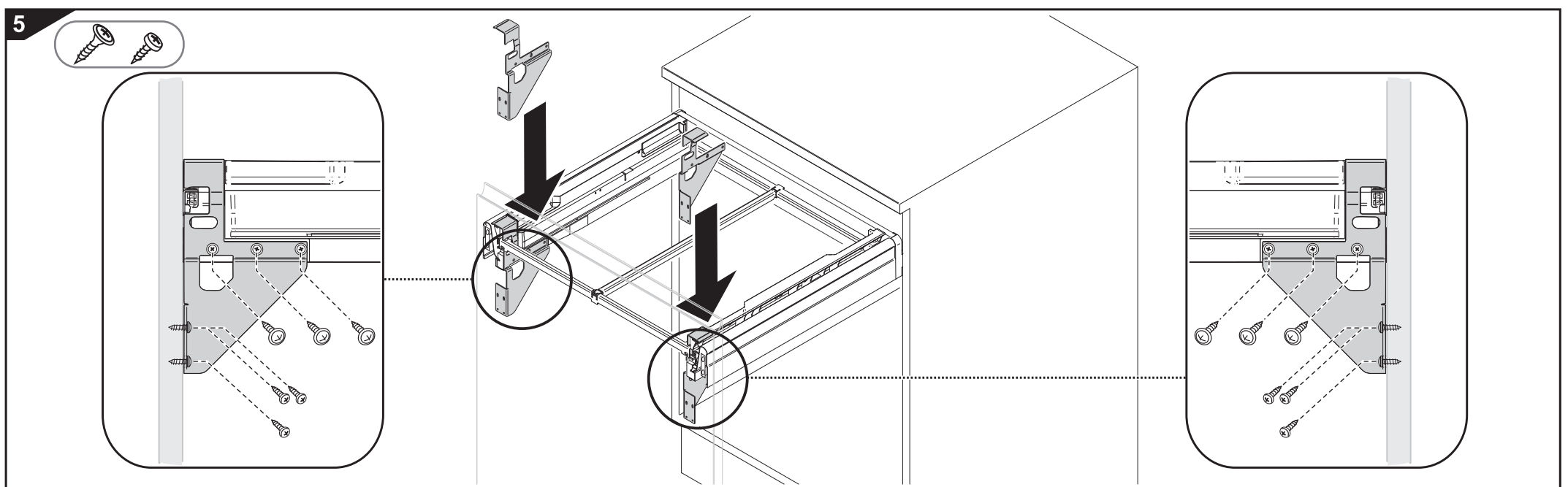
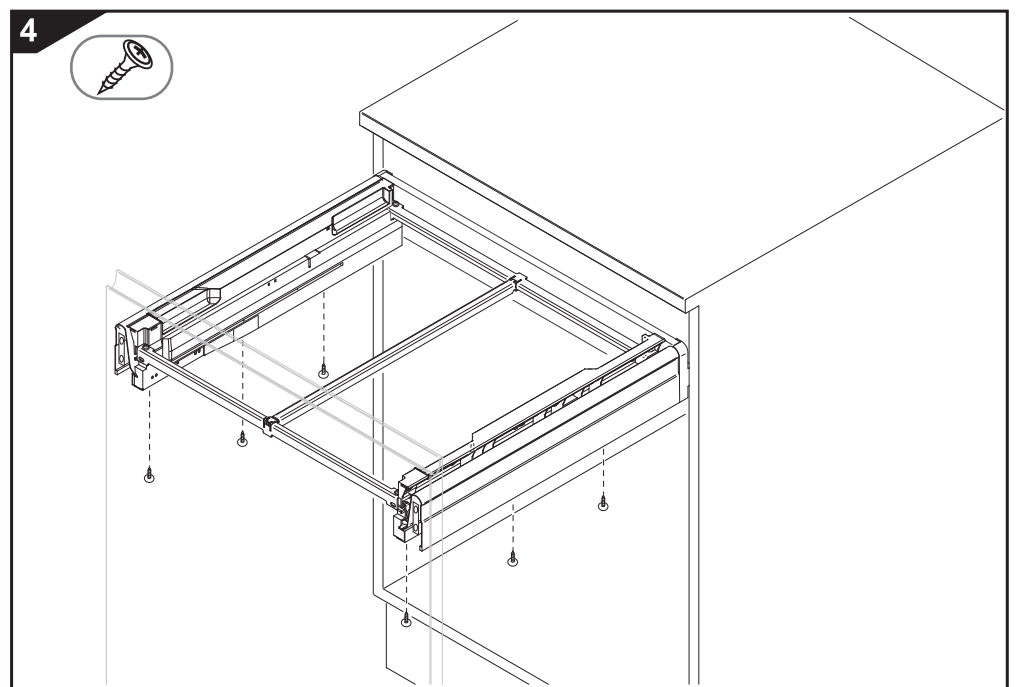
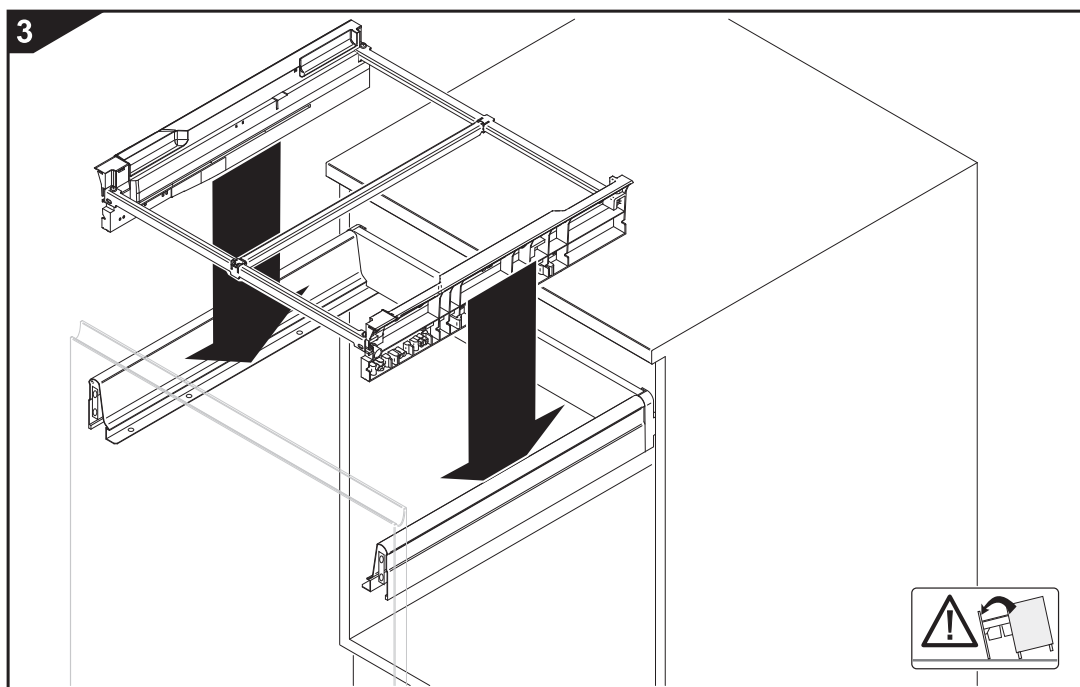
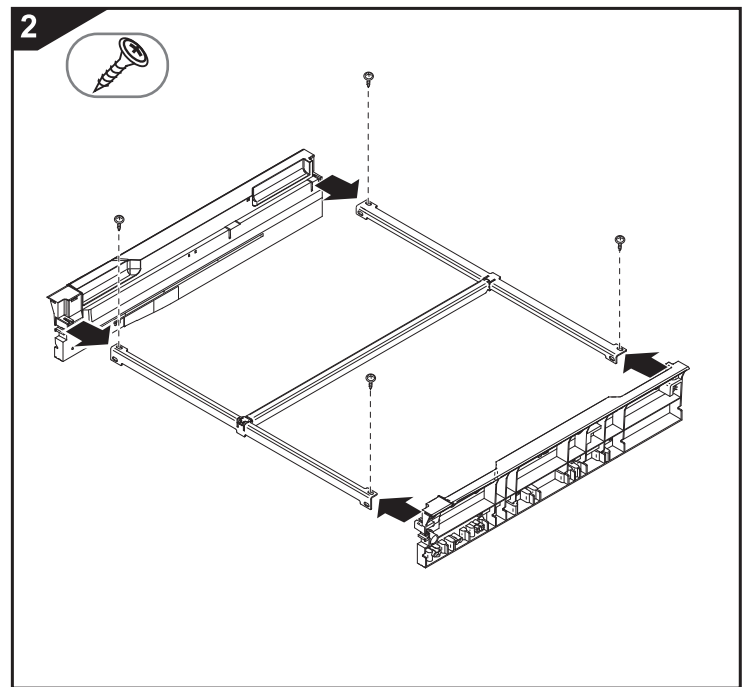
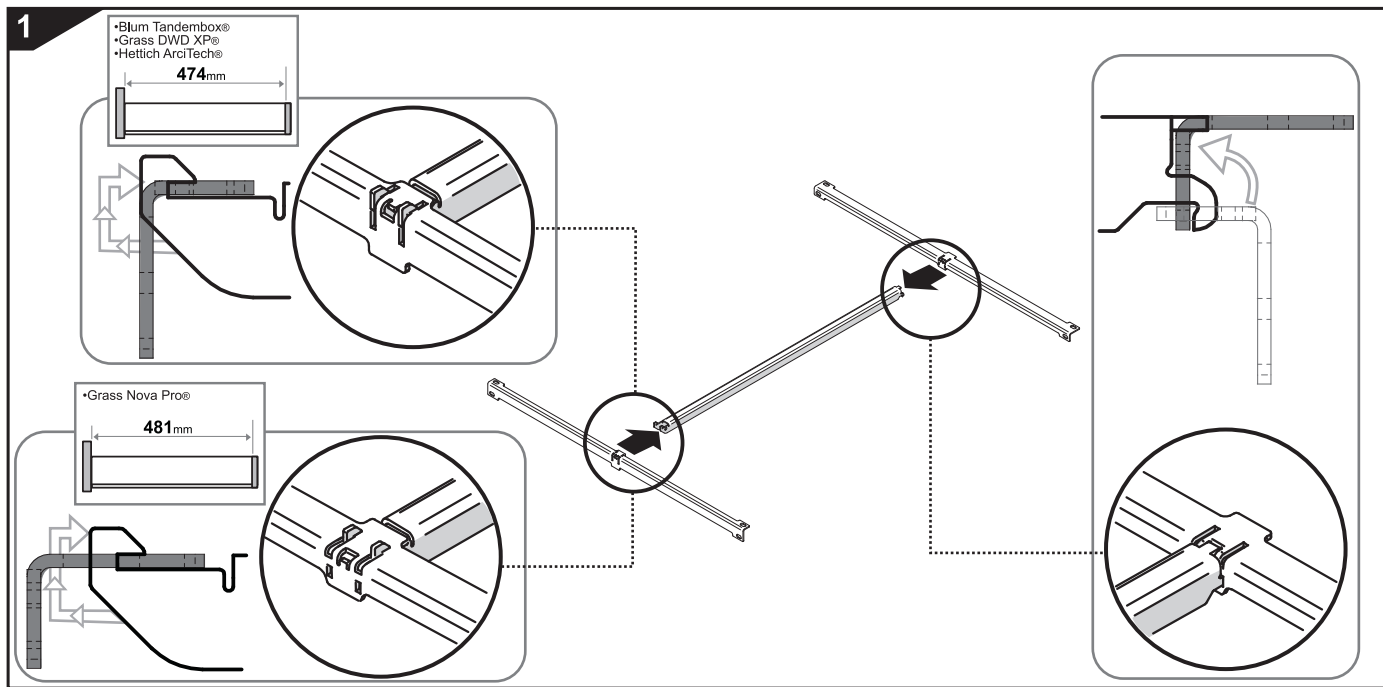


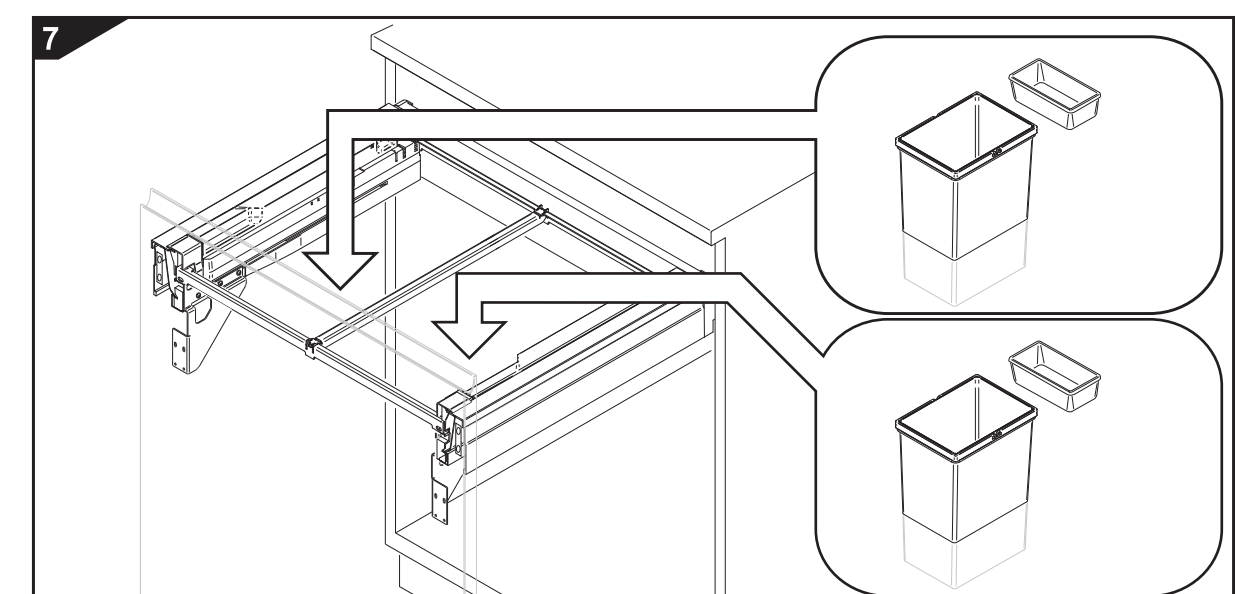
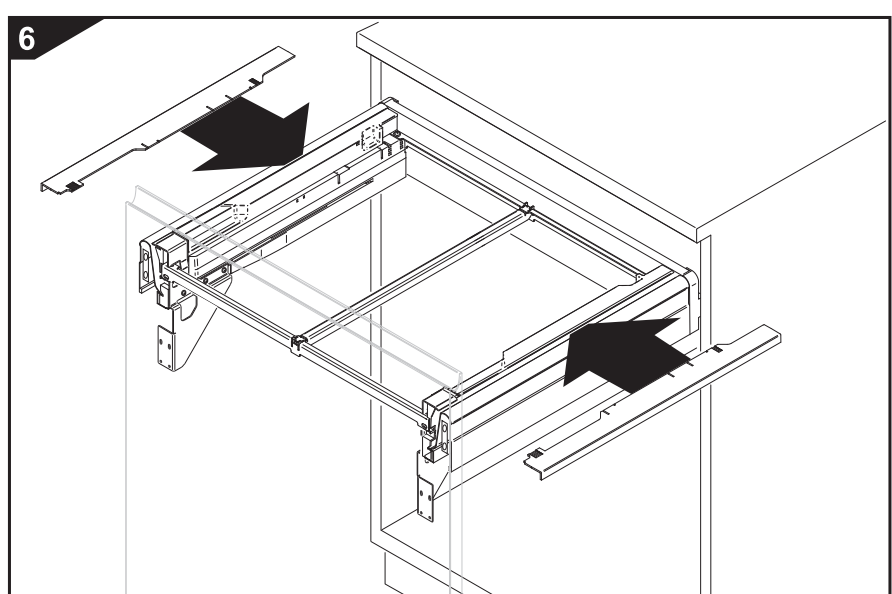
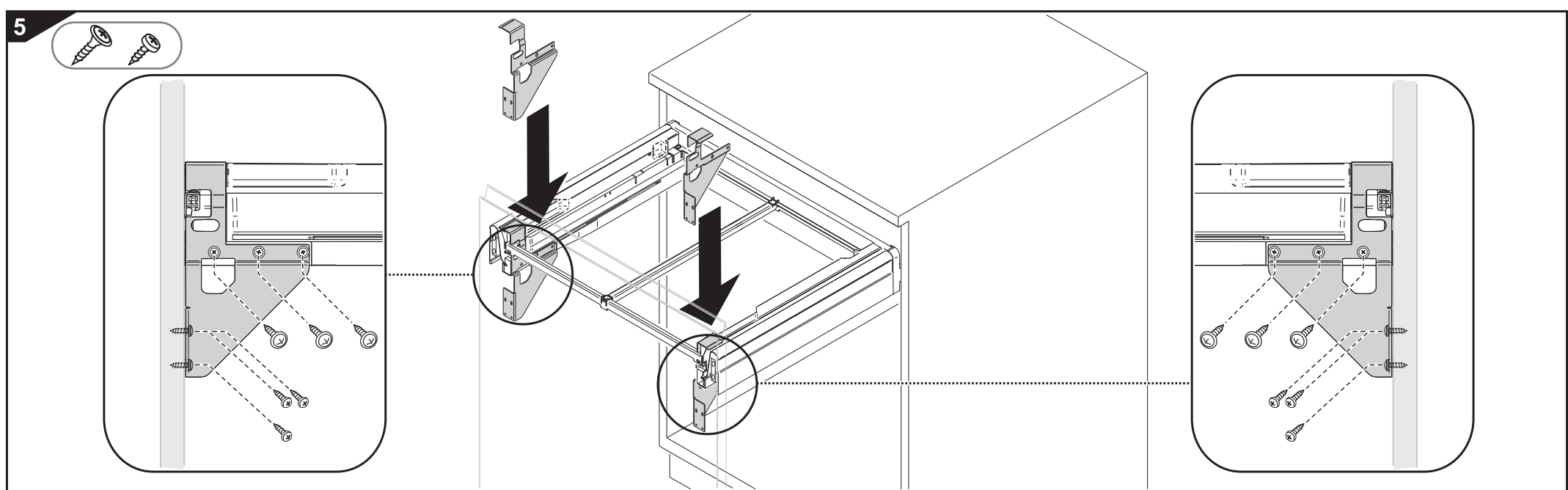
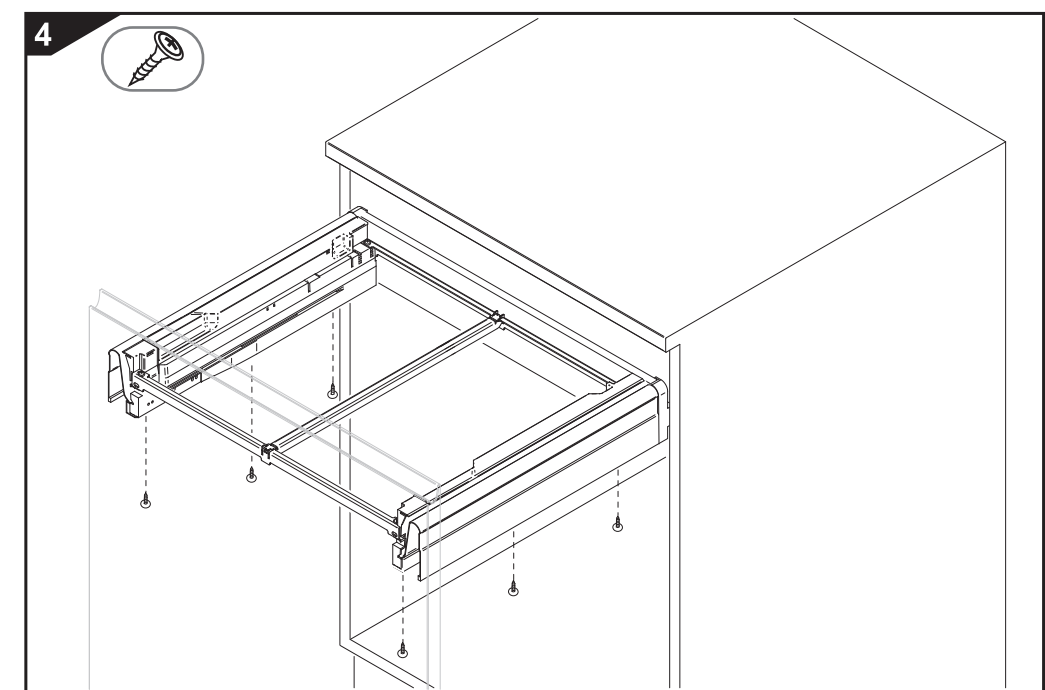
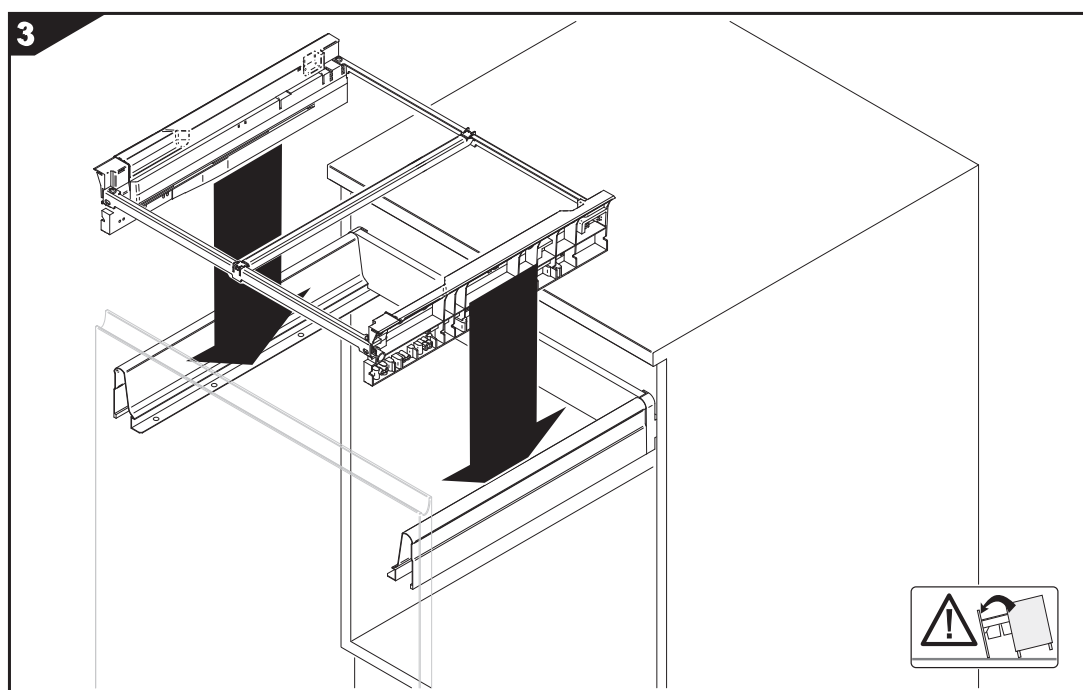
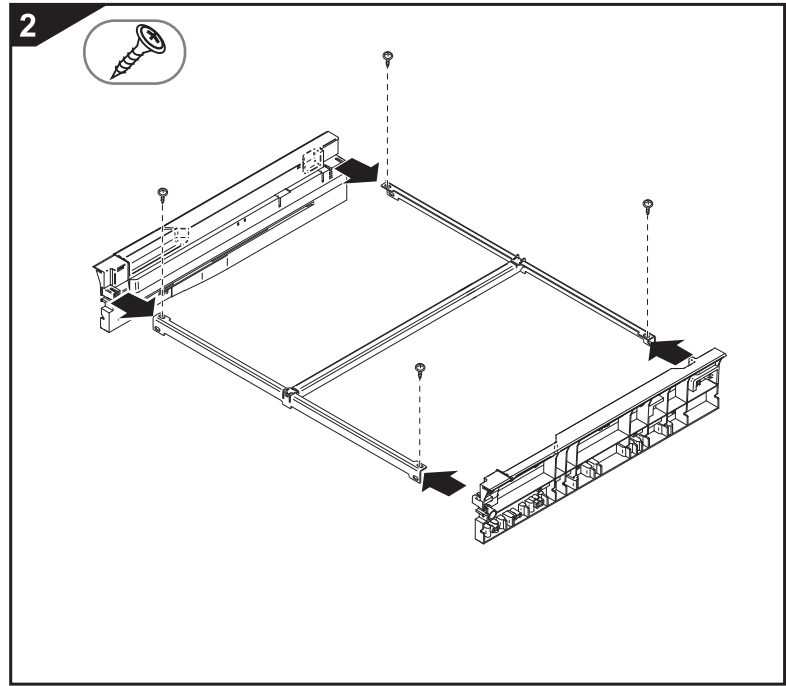
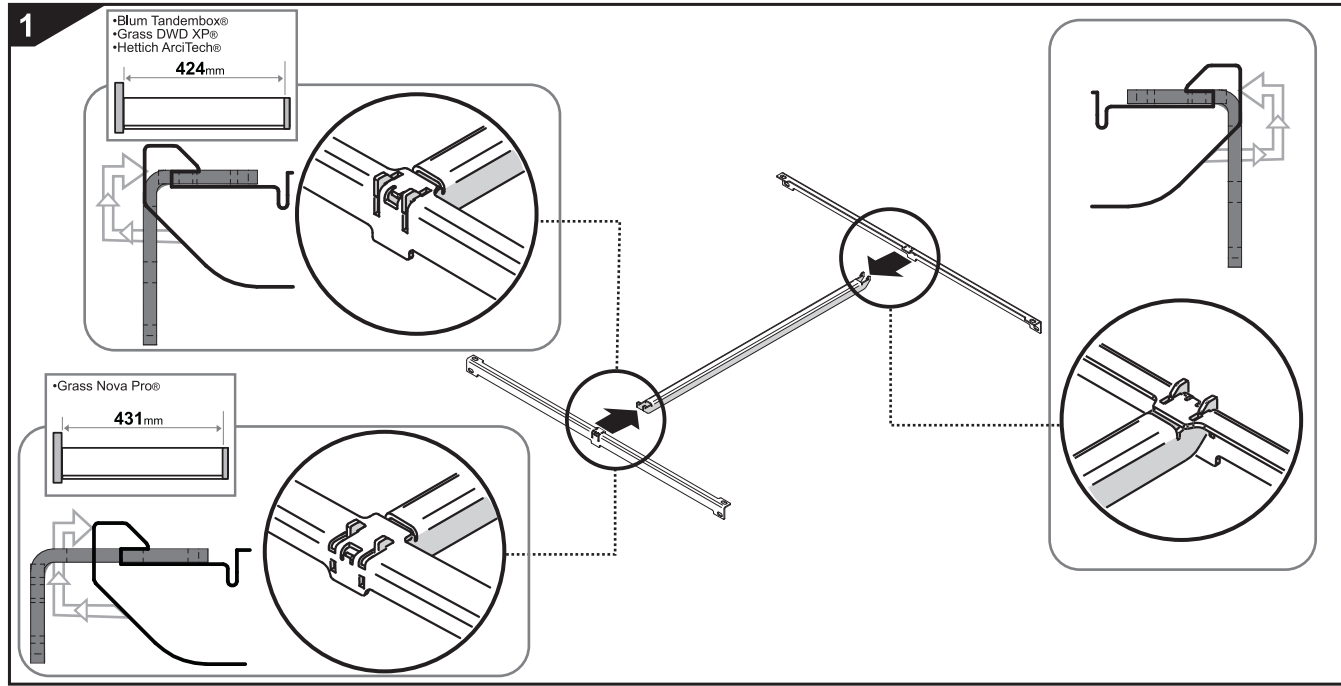
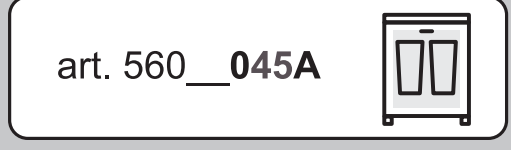
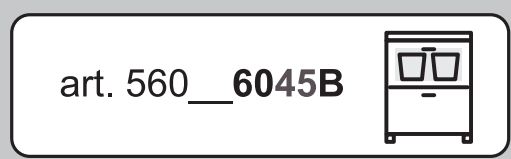
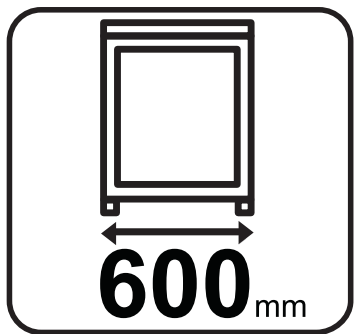


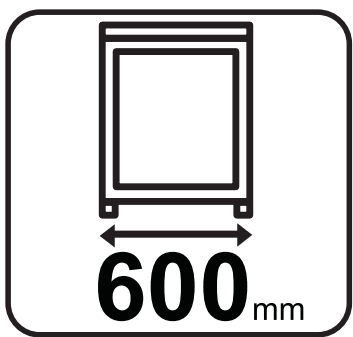
art. 560\_6050B




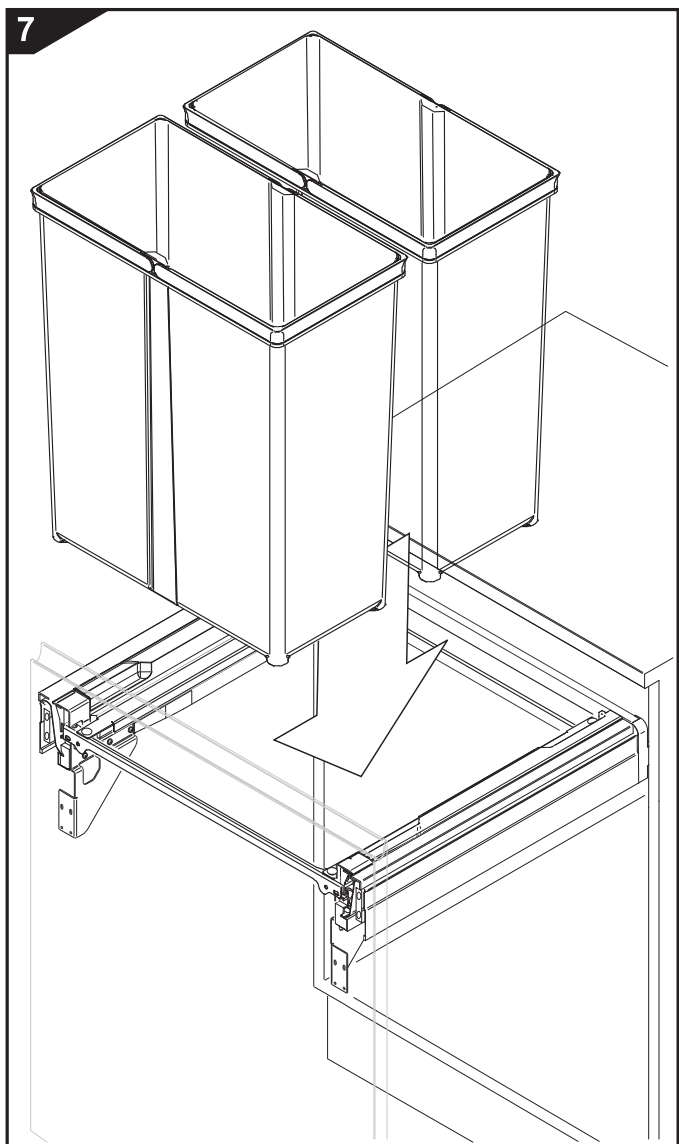
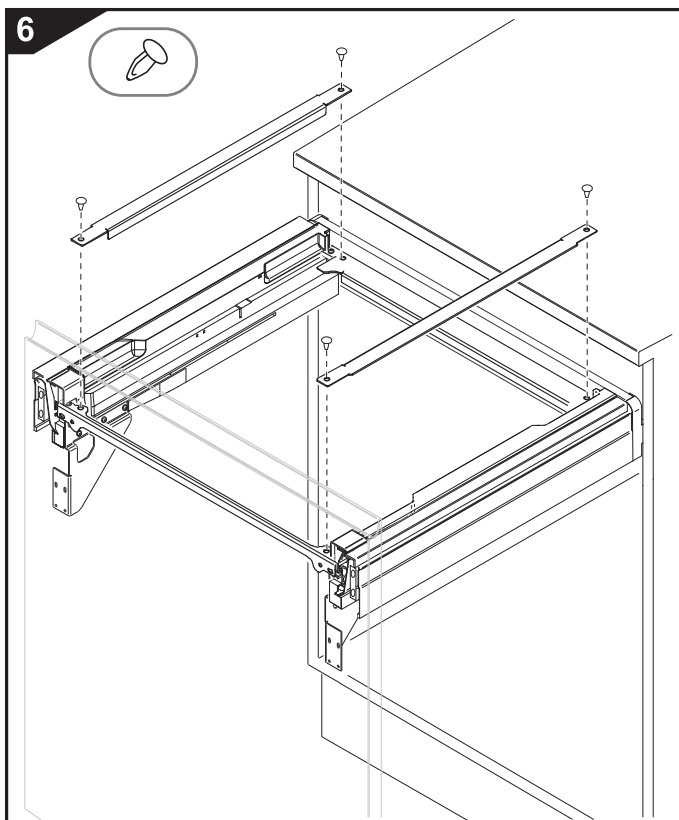
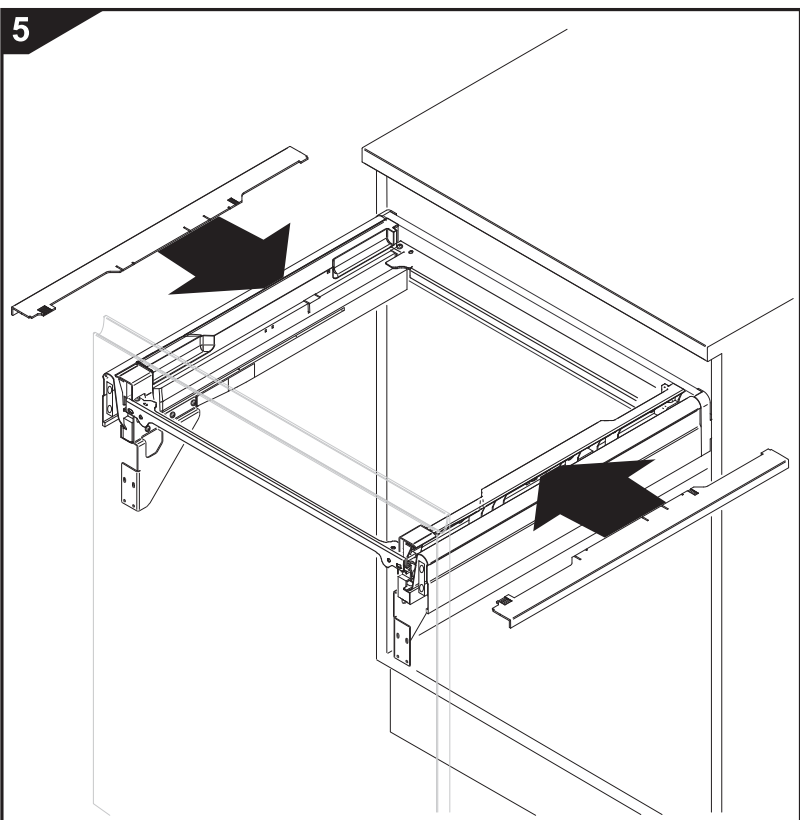
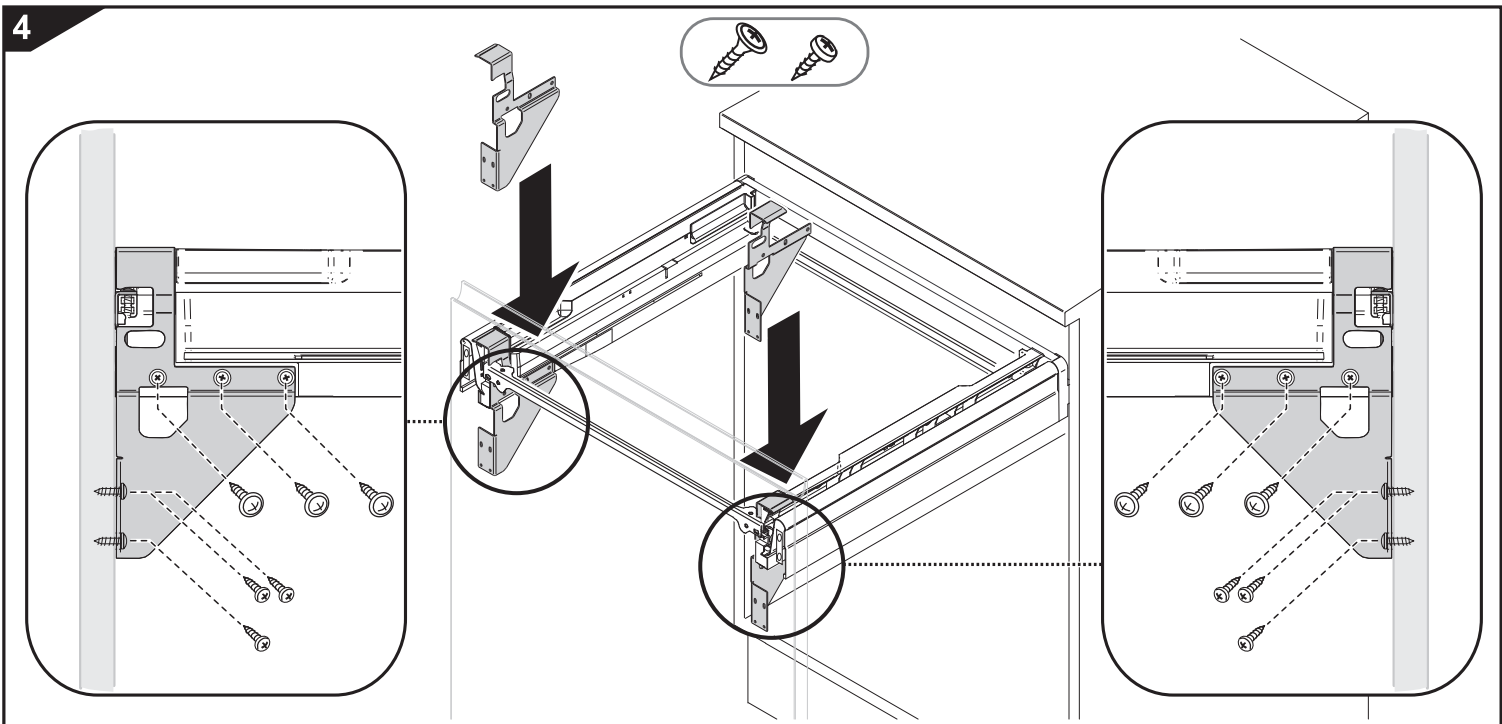
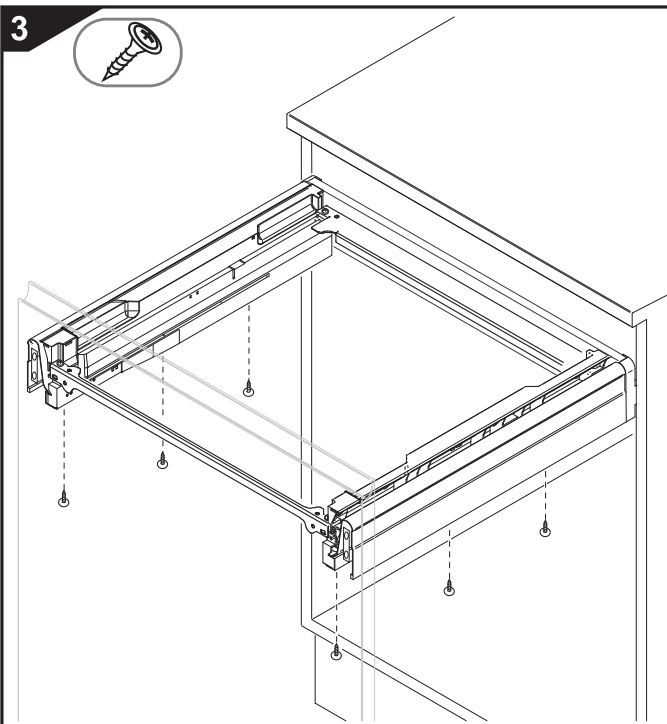
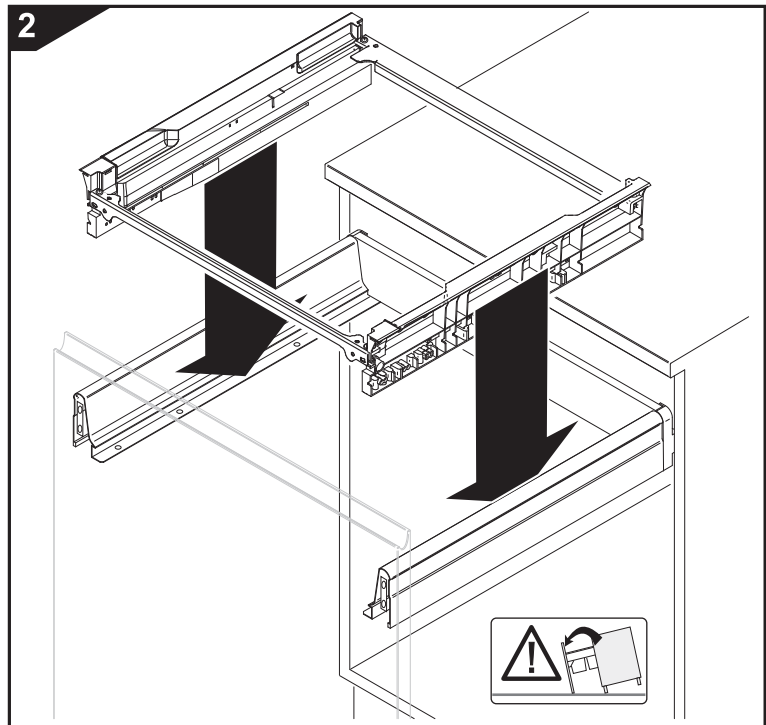
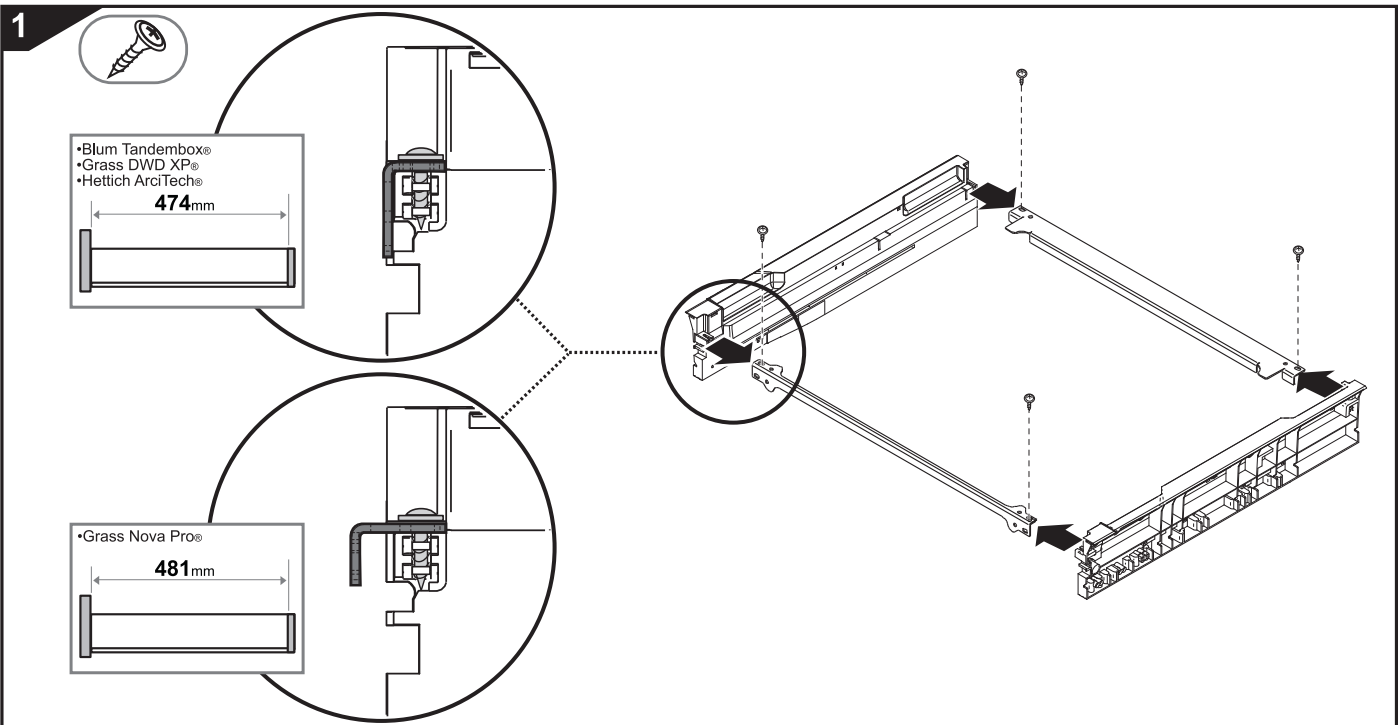
art. 560\_6050A



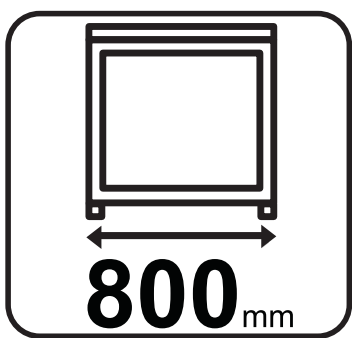




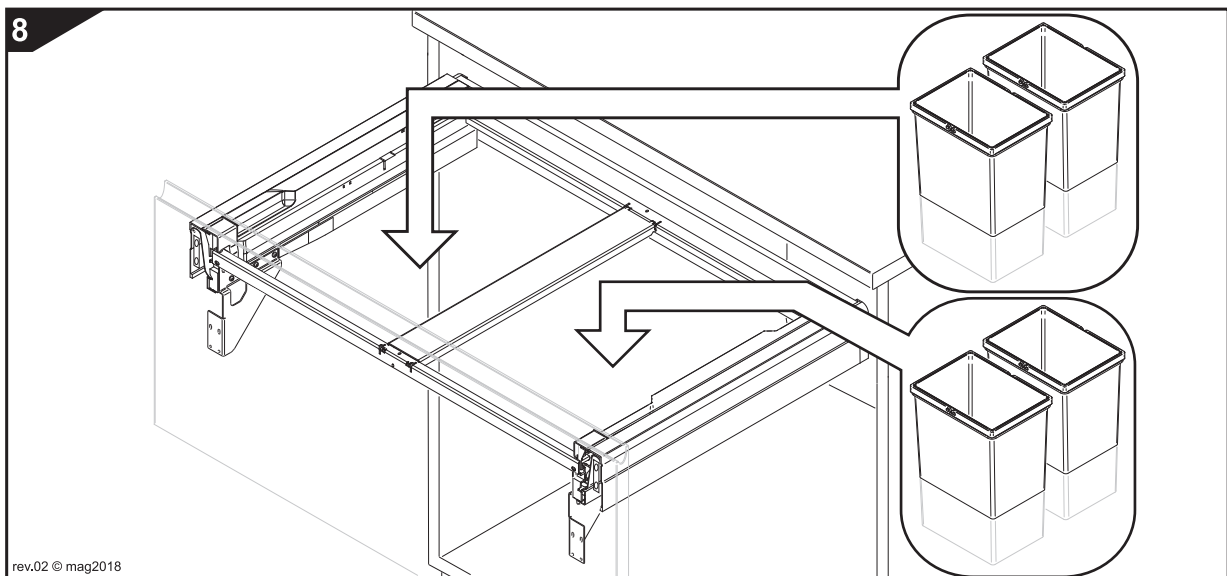
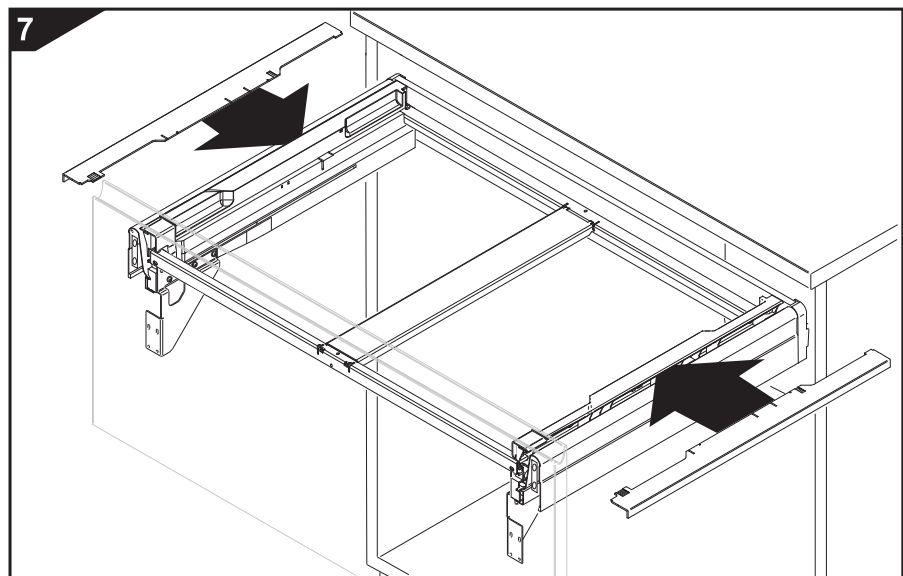
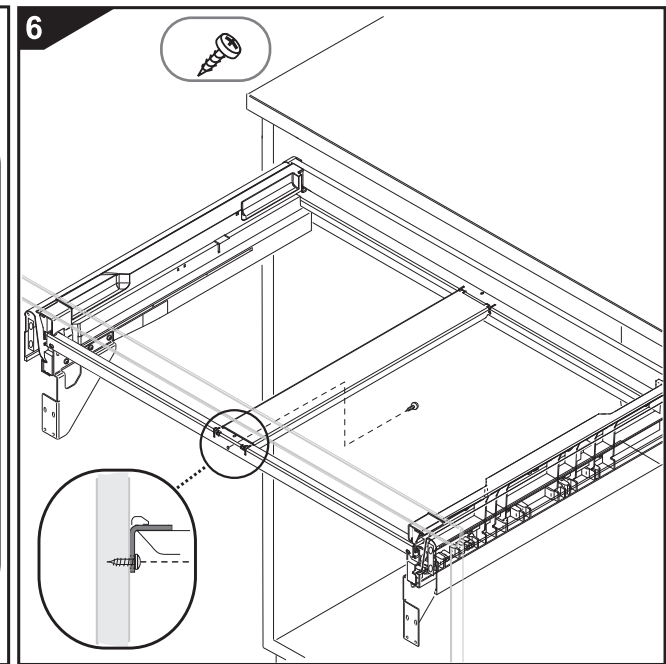
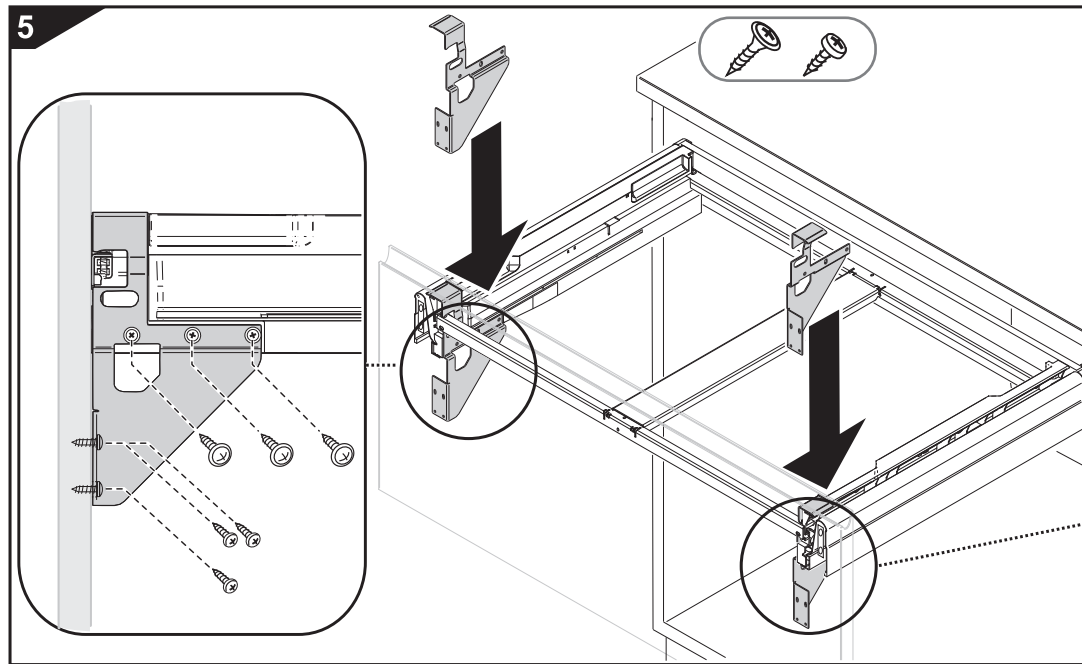
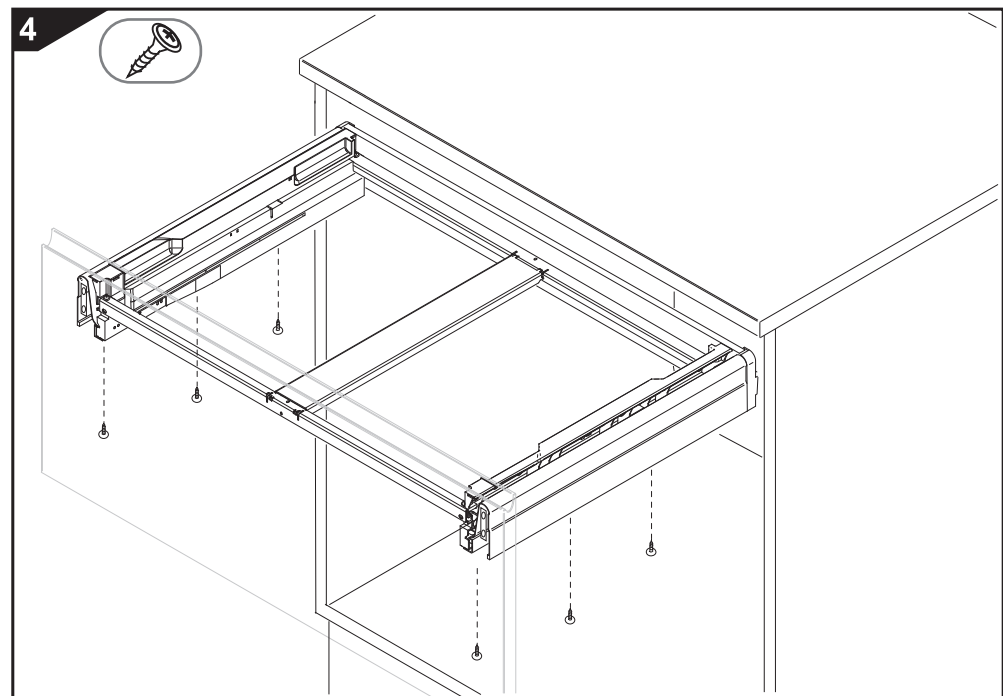
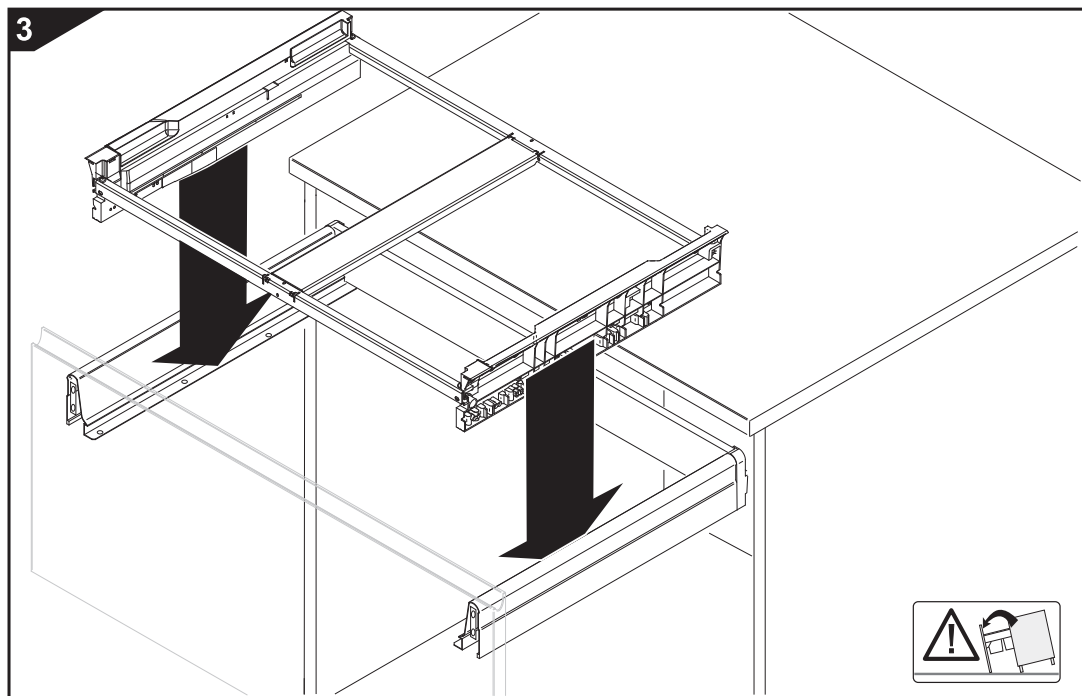
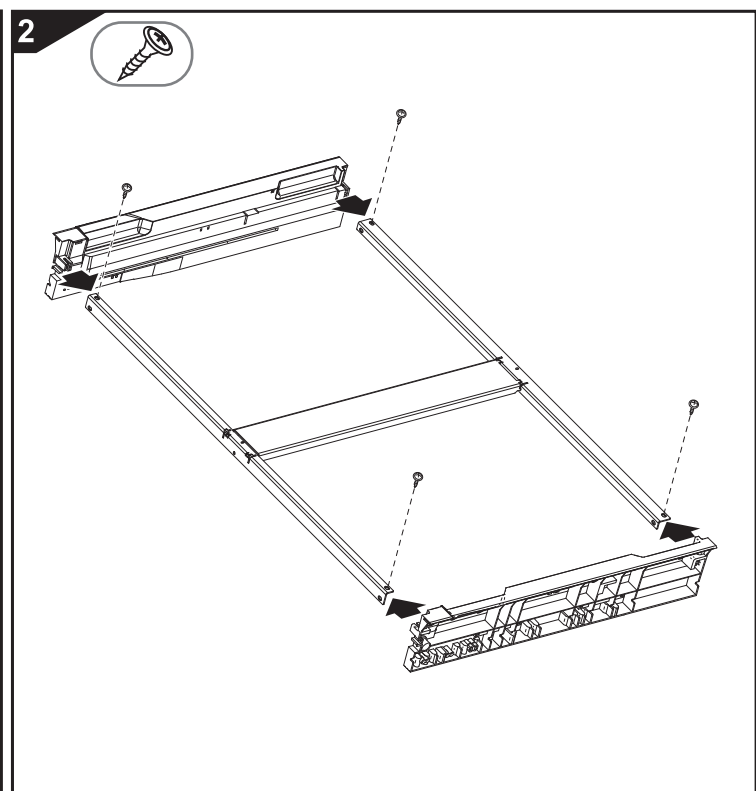
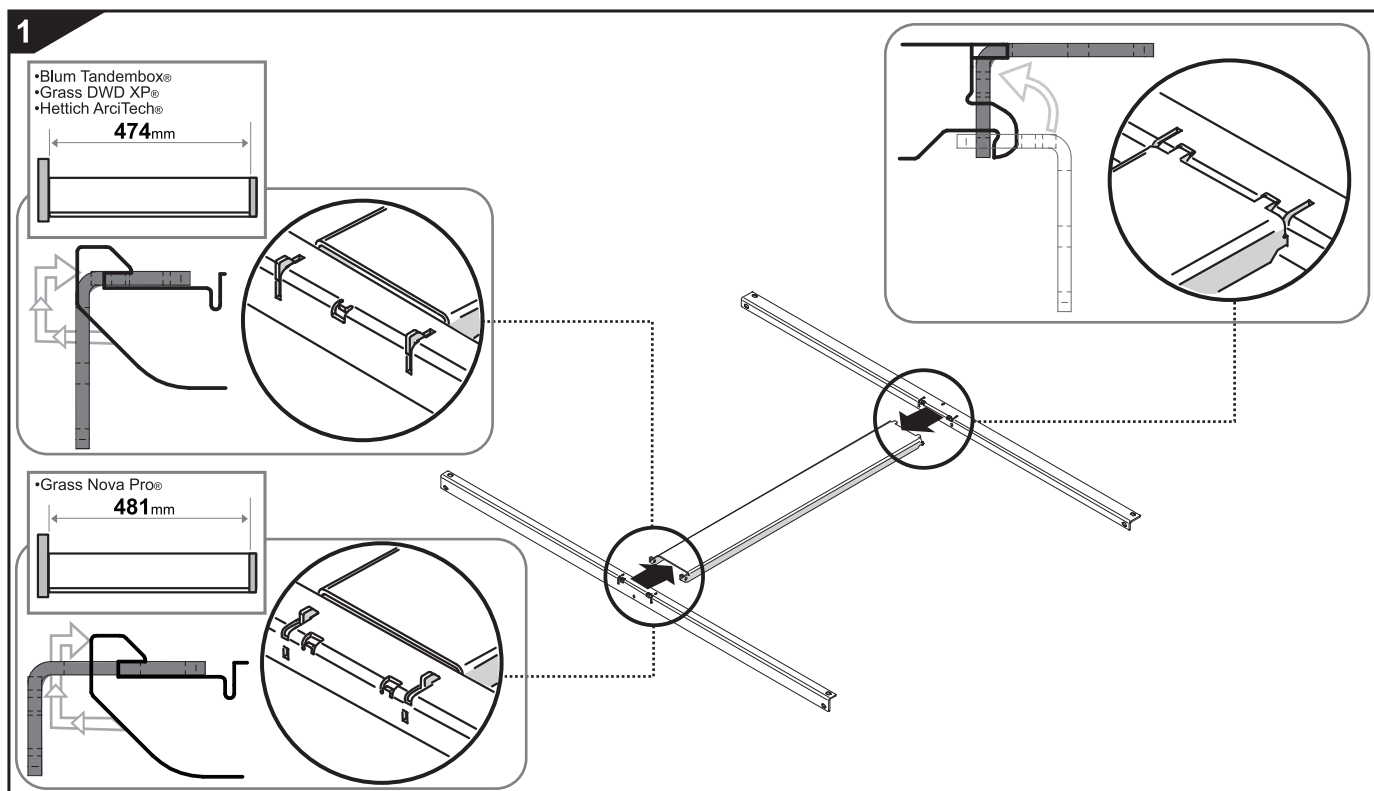
art. 560\_\_6050C 



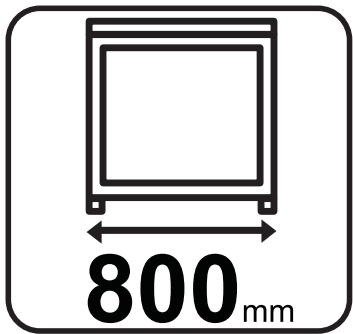




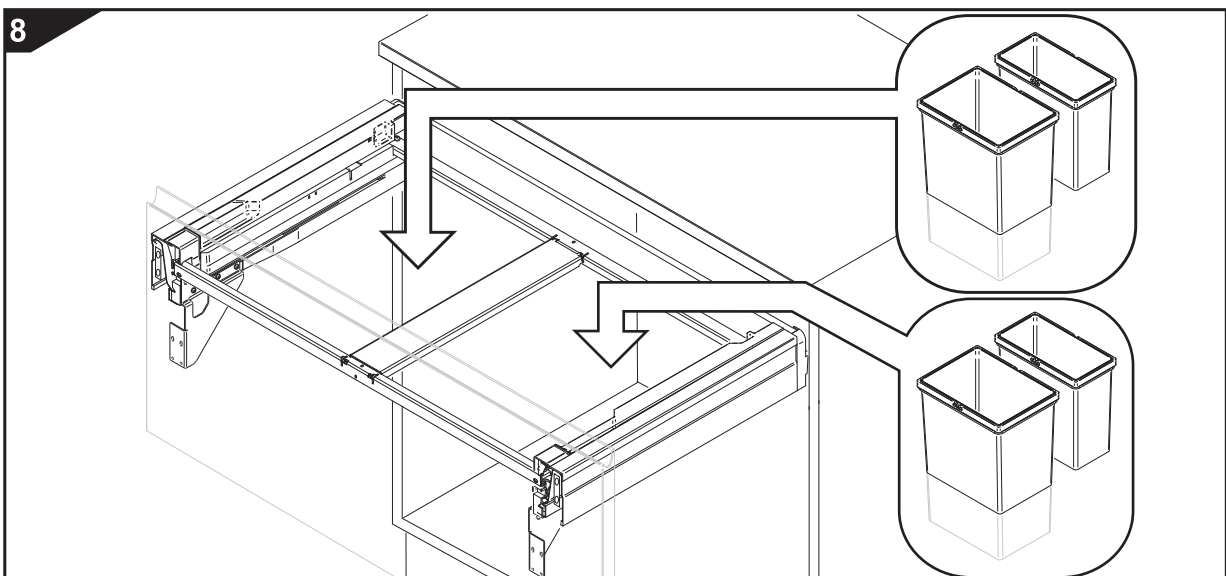
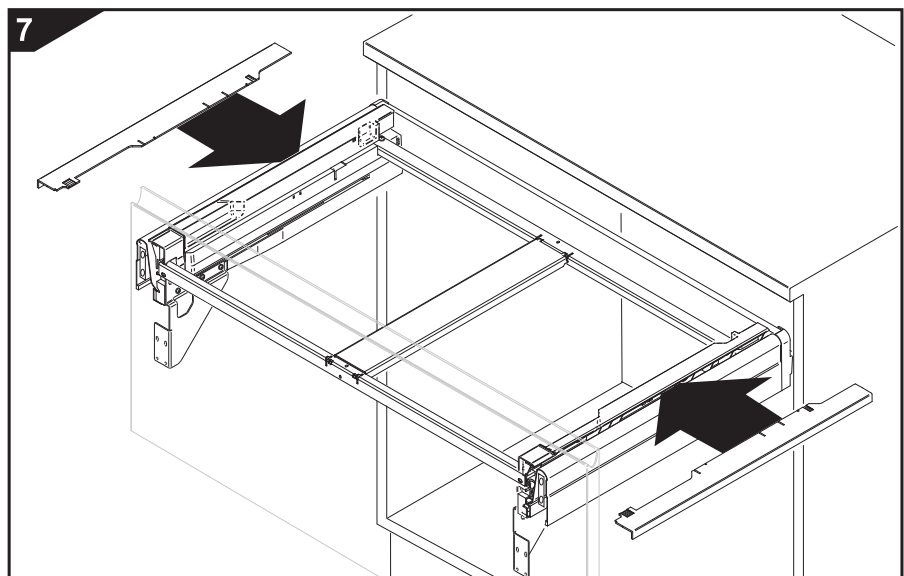
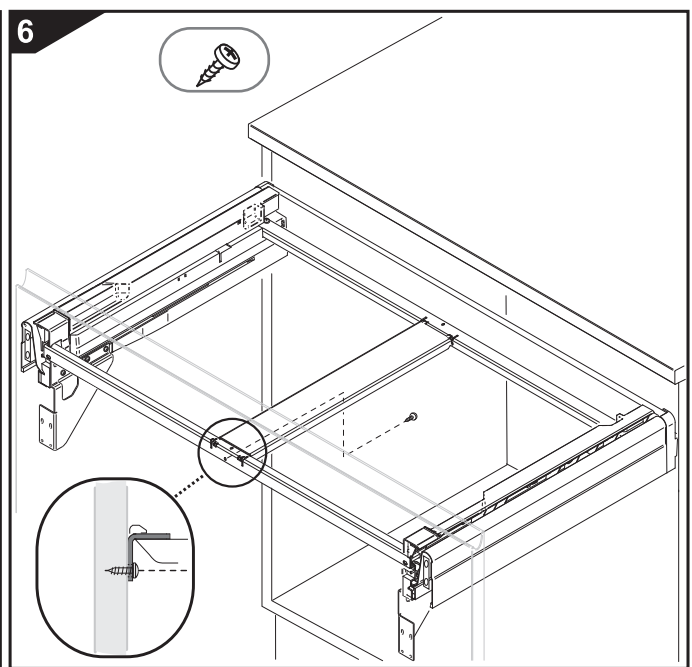
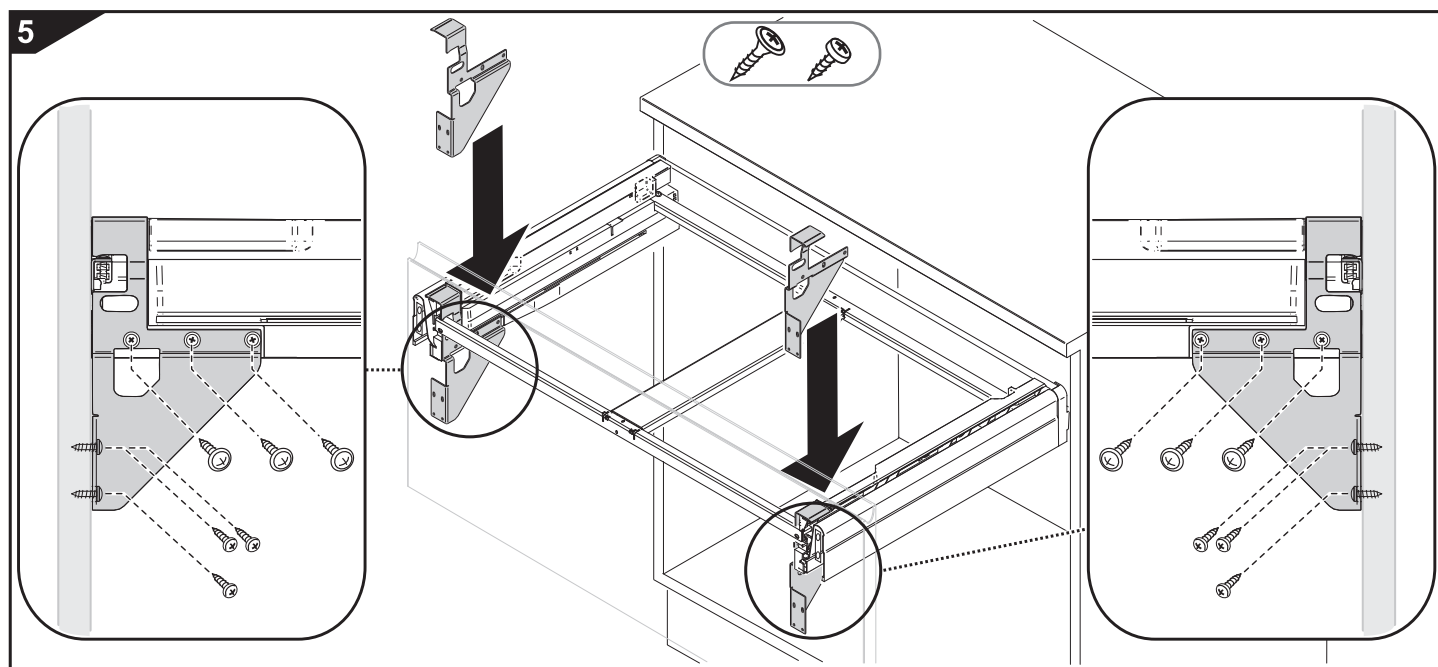
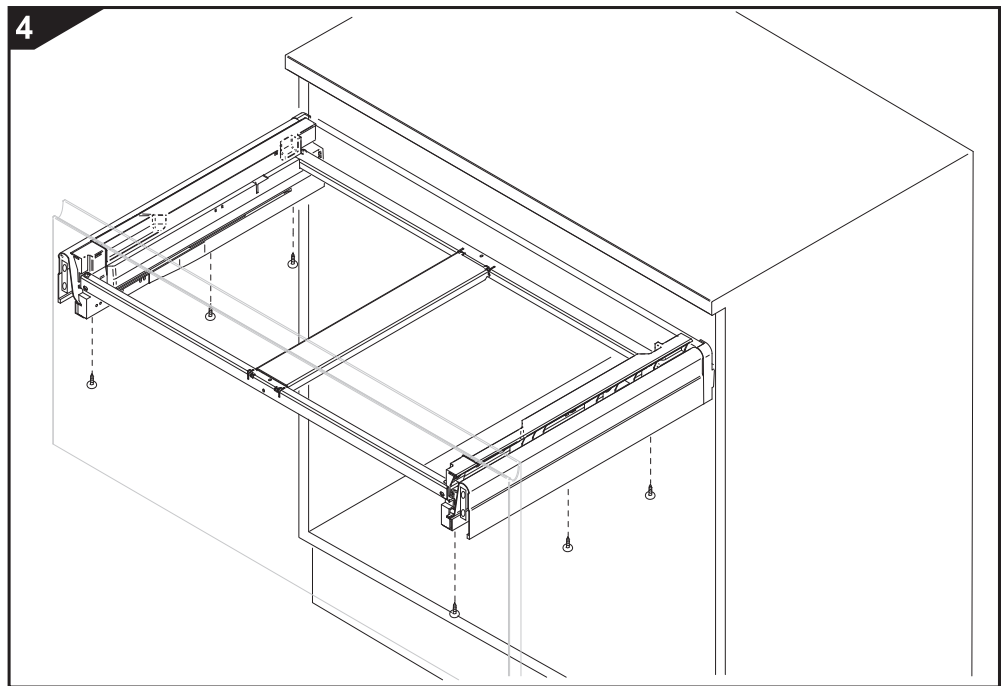
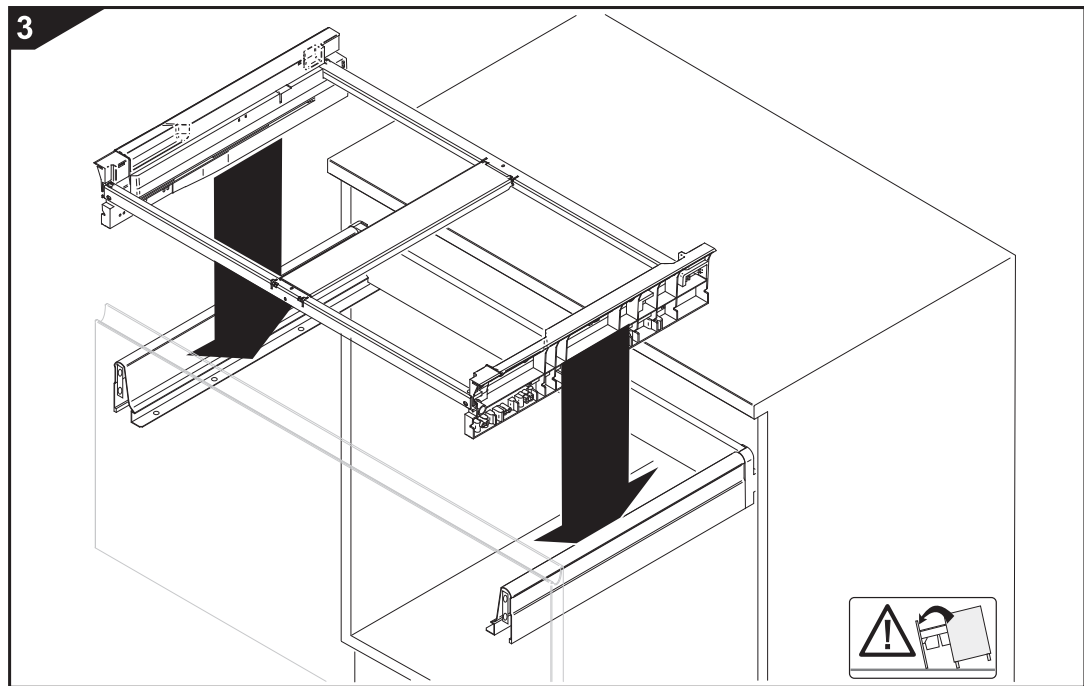
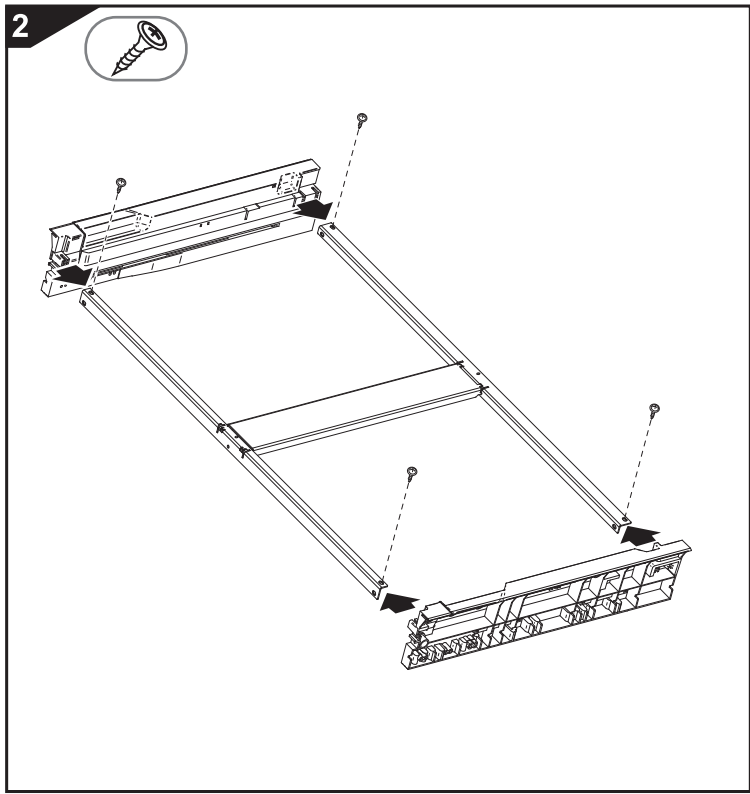
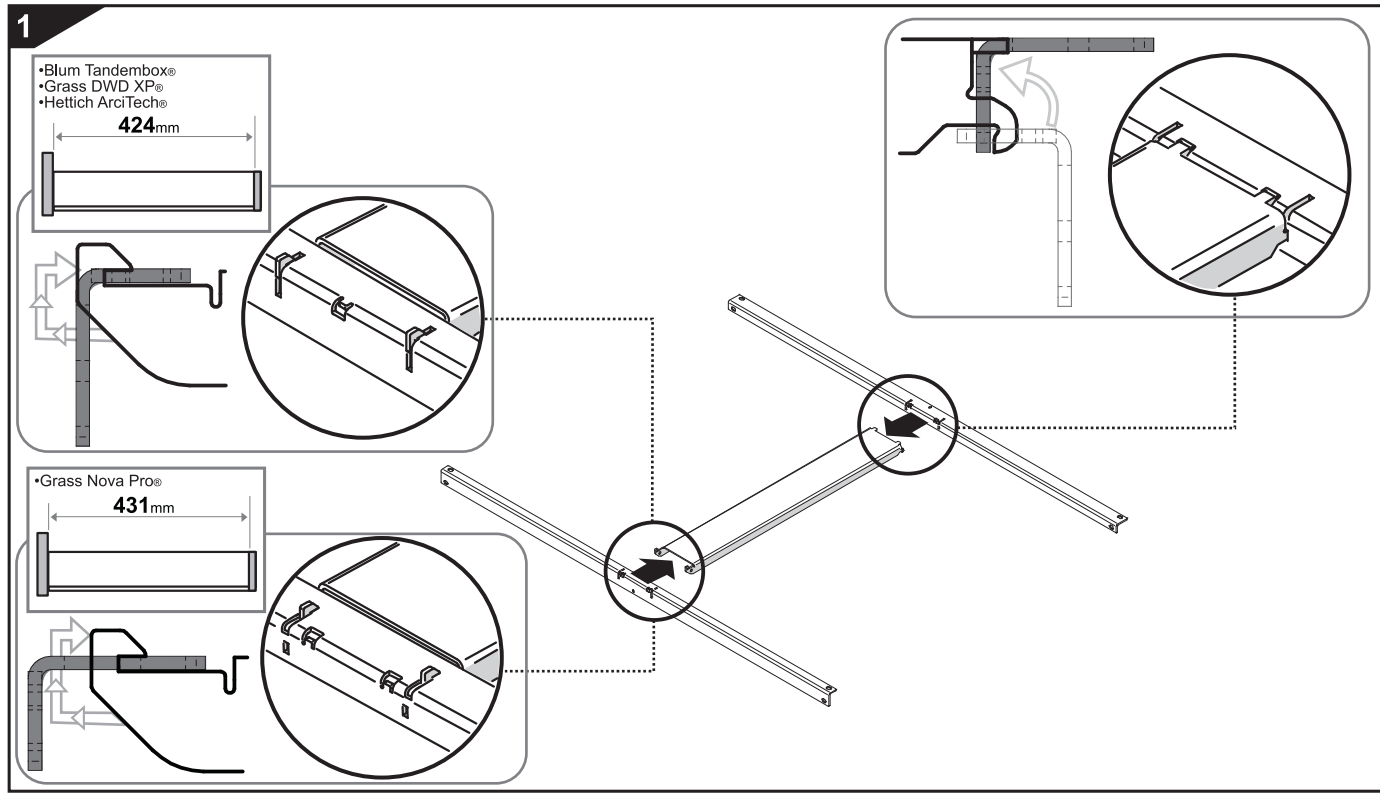
art. 560\_8050B

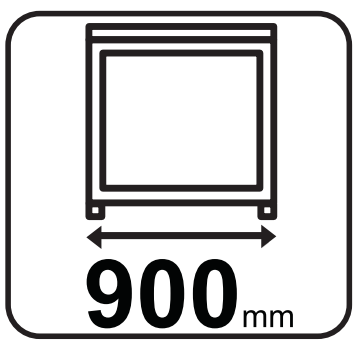




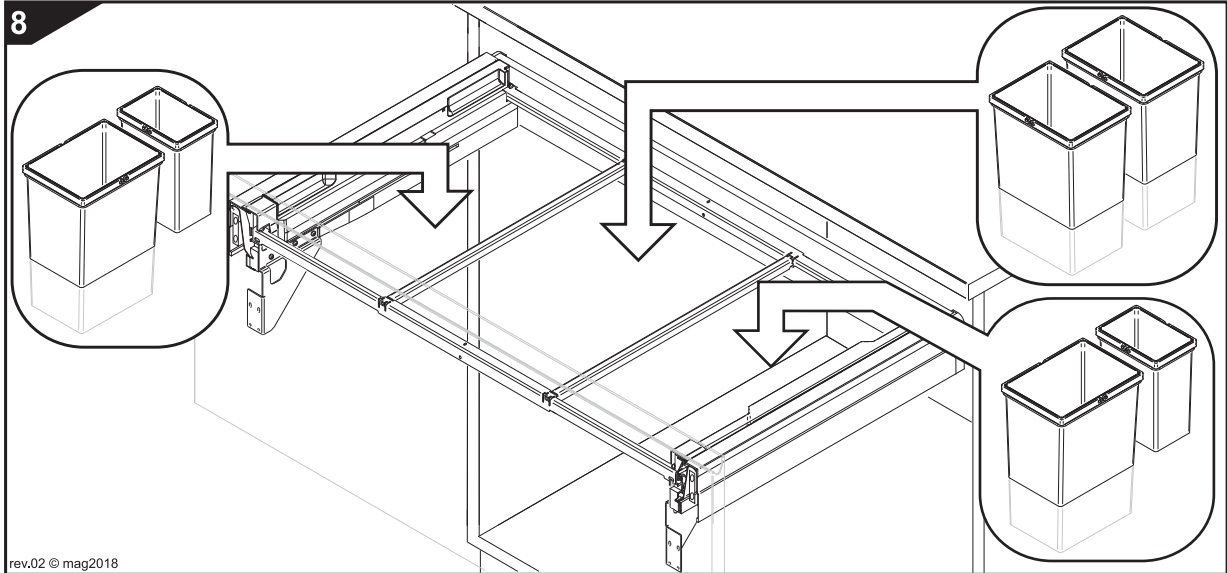
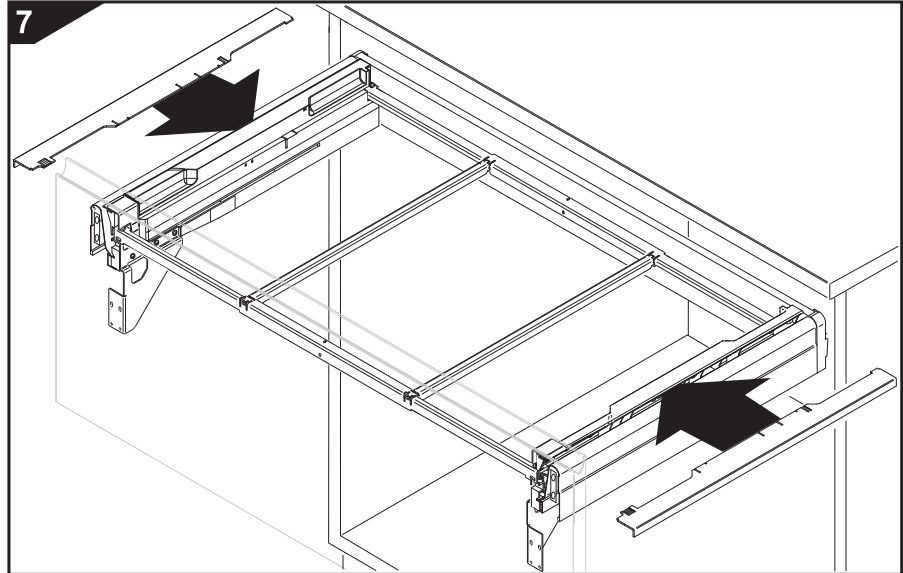
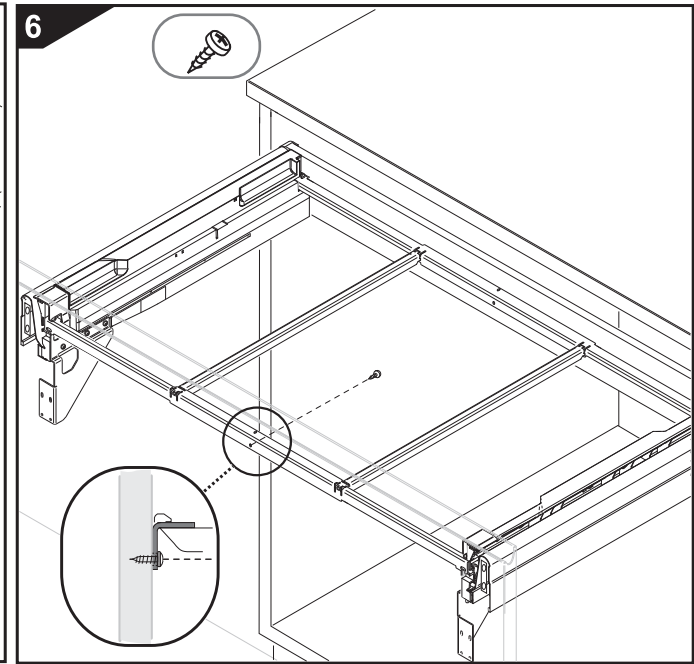
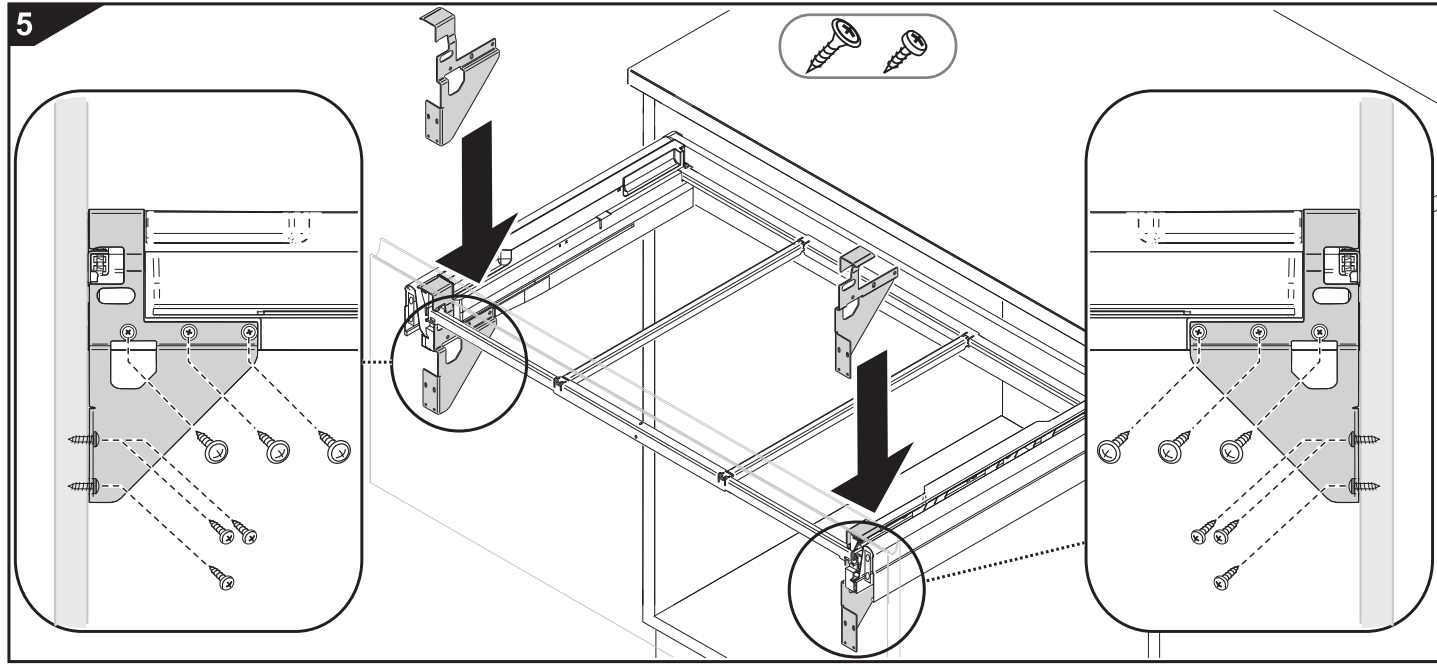
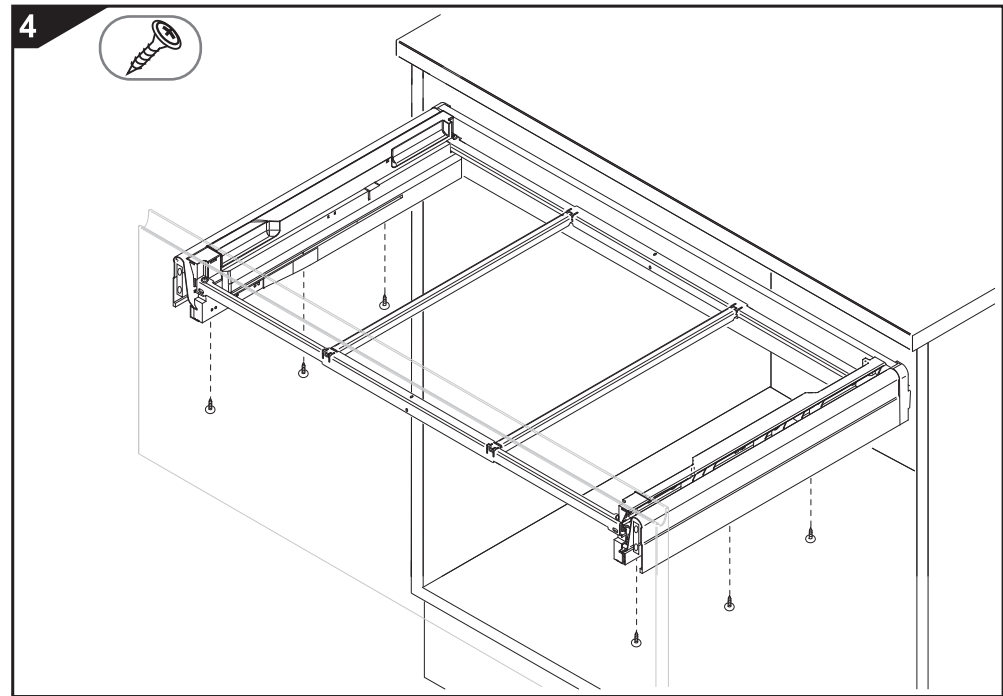
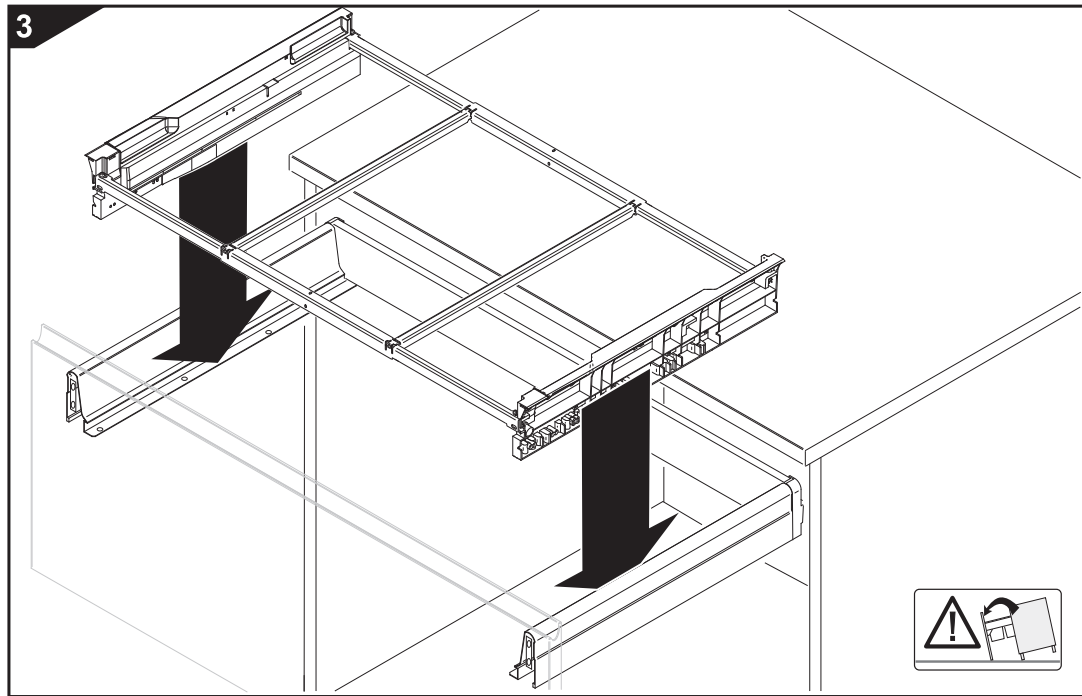
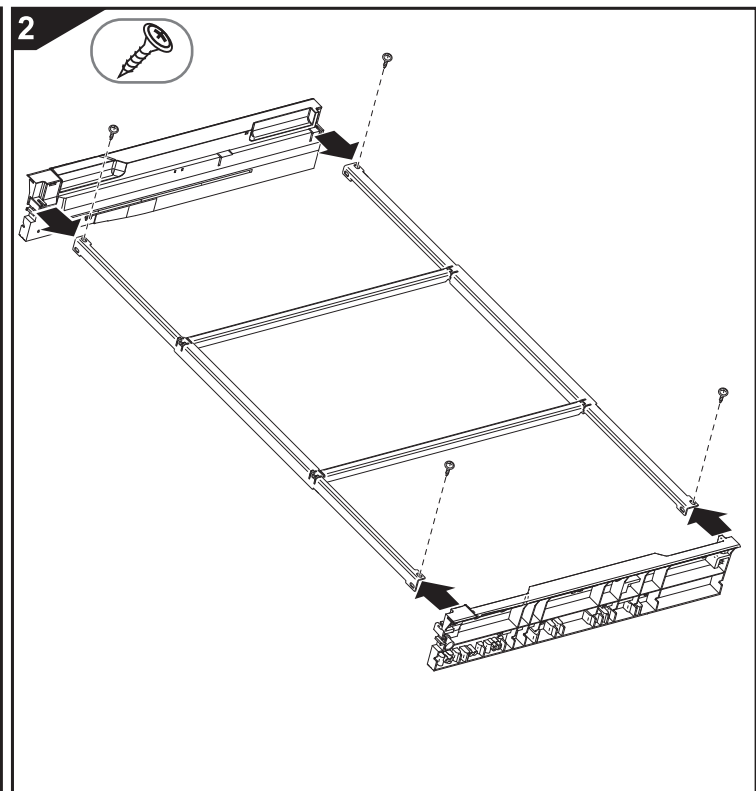
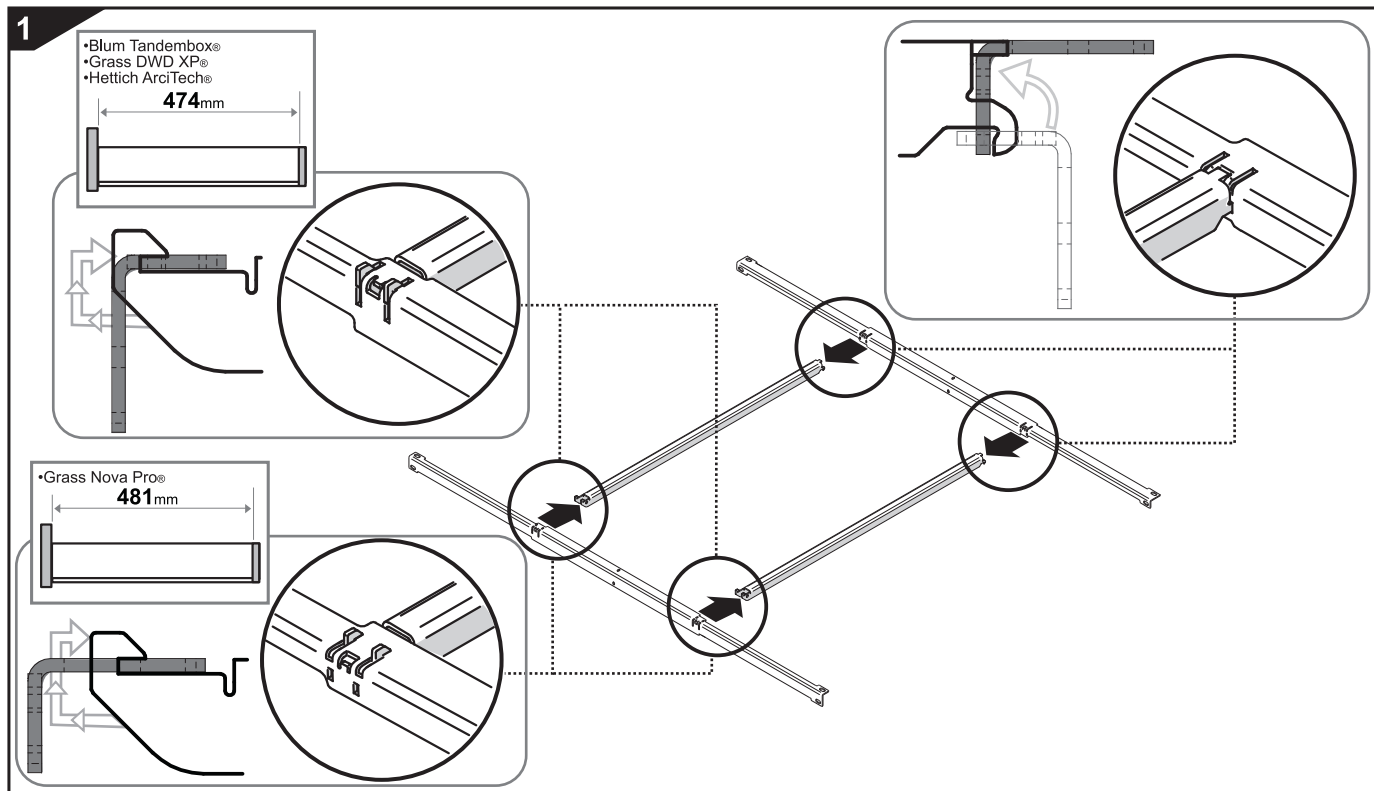


art. 560\_8045B

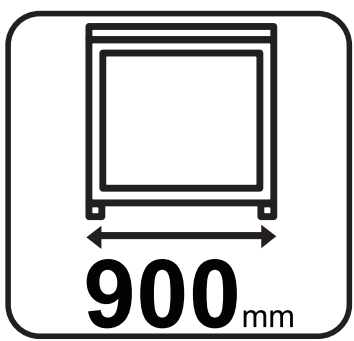




art. 560\_9050B







art.6560\_\_9045B

