

FREEfold short

FREEfold short compatible with **355x720mm** frontals.

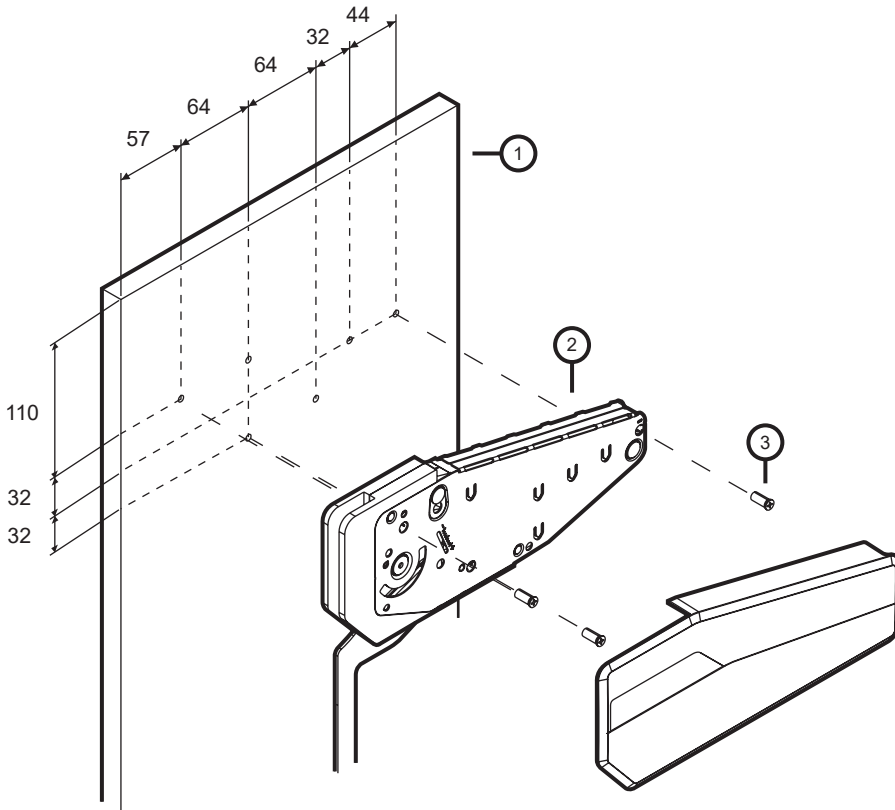
For full construction of FREEfold short product, please refer to complete fitting guide (provided in packaging).

Product SKU:

FOLD 1

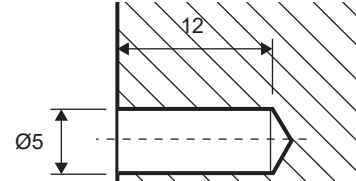
FOLD 2

FOLD 3

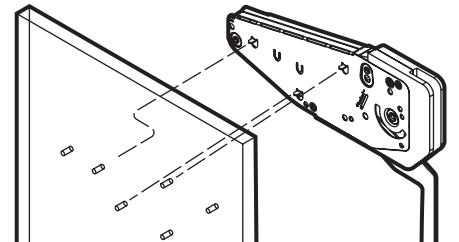


Left and right hand drilling is required.
Use the templates provided.

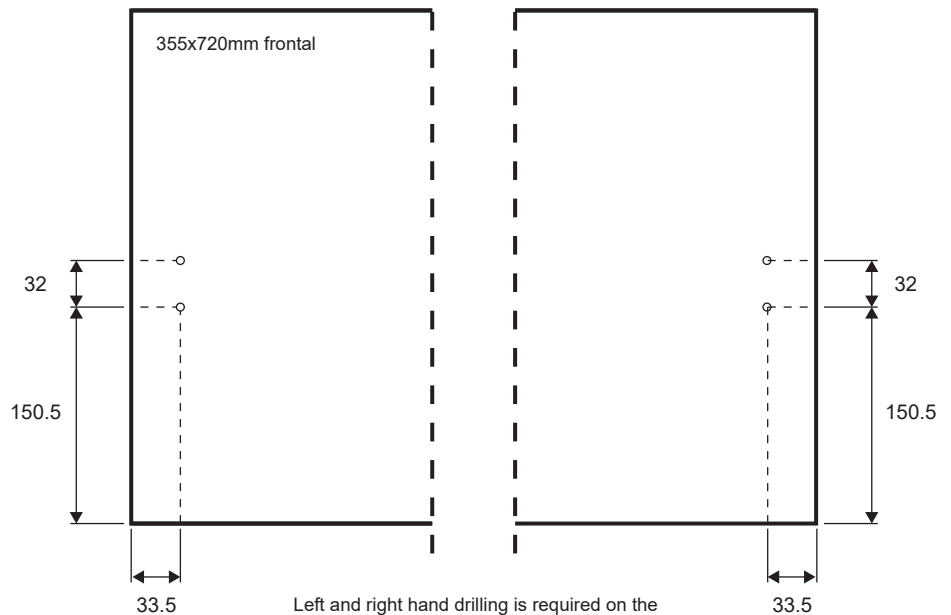
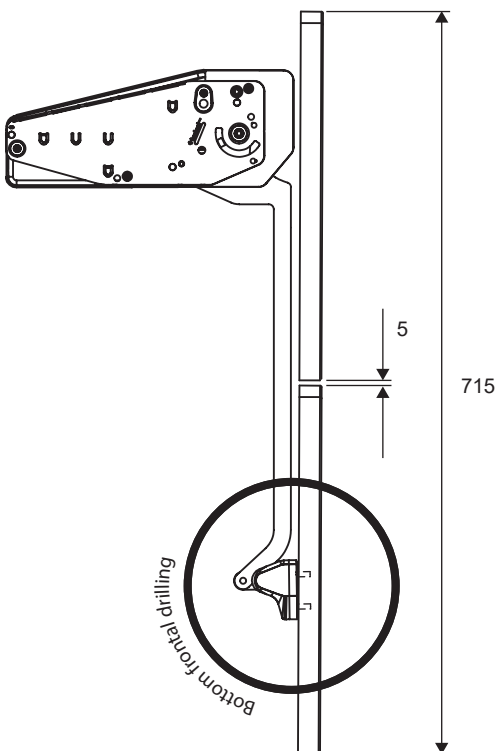
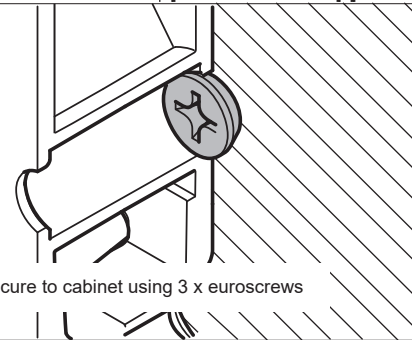
1 Drill 6 fixing holes (5 x 12mm)



2 Line up locating pins with the holes and place in position



3 Secure to cabinet using 3 x euroscrews



Left and right hand drilling is required on the **bottom frontal**.
Use the templates provided.